



Project: _____

Model No.: _____

Type: _____

Date: _____



T8 Emergency Ready LED Tube - CCT & WATTAGE SELECTABLE

Base G13	Voltage 100-240V	Instant On (no delay)	Lifespan 50,000+ Hrs	3 Year Warranty
Beam Angle 120°	UV free Mercury free	Damp location suitable	CRI 80+	Enclosed Fixture Rated

Features and Benefits

- Two functions from one tube: regular T8 lighting and emergency lighting
- Built-in lithium battery
- Manual testing button
- Selectable color temperature: 3500K/4000K/5000K
- Selectable wattage: 12W/15W/18W
- Controllable by wall switch
- Easy battery shutoff switch ships in "OFF" mode to preserve battery life
- Instant on to full brightness.
- No UV emission
- L70 rated lifetime up to 50,000 hours
- Suitable for dry and damp locations
- Diffused frosted lens will maintain the same light quality over time.
- Environmentally friendly, no mercury used

TECHNICAL SPECIFICATIONS

Model	Nominal Length	Mode	Wattage	Lumens	Efficacy (LPW)	CCT	Life (hrs)	CRI	Power Factor	Cover	Beam Angle	Fixture Rating
DBE-T8EM-1200MM-18W	1200mm	Normal Mode	12W/15W/18W Field-Adjustable	1440-2160	120	3500K 4000K 5000K Field-Adjustable	50,000	>80	>0.9	Frosted	120°	Enclosed
		Emergency Mode	5W	600	120							

Note:

1. All values are typical (tolerance +/- 10%)
2. Factory default setting at 5000K CCT.
3. For general and emergency lighting using as a standard LED tube, discard the sockets and please order Model T8-18L12APF-8CS-5WEM.
4. For use as UL924 listed Emergency Device with Additional Innovative Lamp Holders, please order Model T8-18L12APF-8CS-5WEM-LH.
5. Customized product is available

DENSBE MAKES IT!

Don't see what you need? Additional wattages and specifications available upon request - Contact your rep!

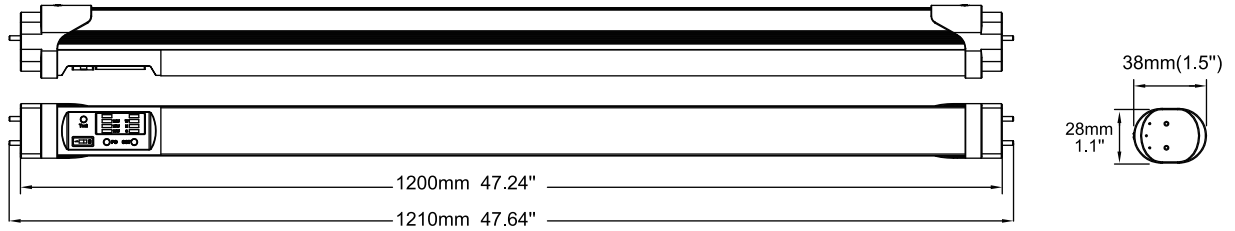
Accessories Optional (Sold Separately)

Model No.	EM Wattage	Description	Image
T8EM-SOCKETS	2W	Innovative lockable Sockets lamp holders	

CCT&Wattage Select Emergency Tube



DIMENSIONS



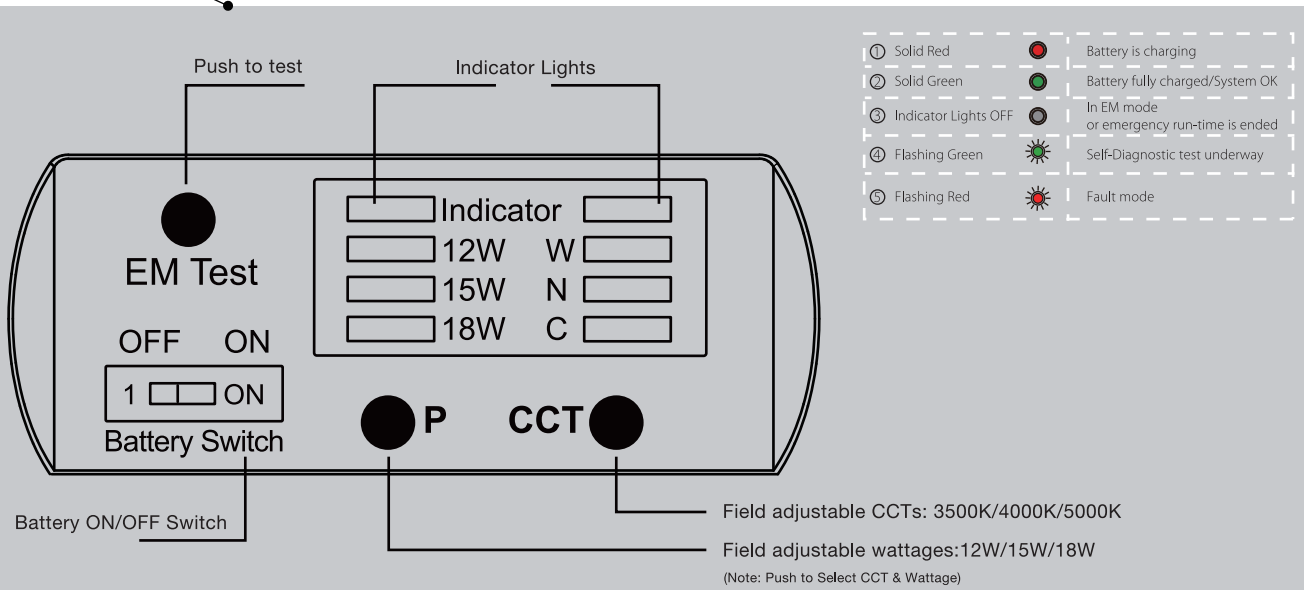
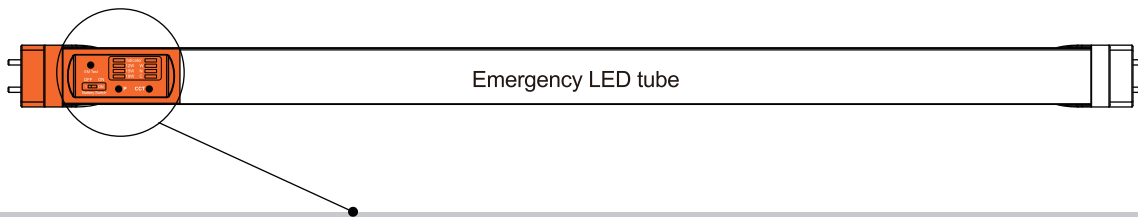
Applications

- Ideal use for office spaces, warehouses, hotels, restaurants, and schools.
- Parking Lots
- Corridors, stairways
- Logistics areas, transport facilities and corridors



Key Features

UL924 Listed Emergency Device when paired with innovative lamp holder



CCT&Wattage Select Emergency Tube



Key Features

UL924 Listed Emergency Device when paired with innovative lamp holder

