

Triproof Lighting Fixture-TX Series

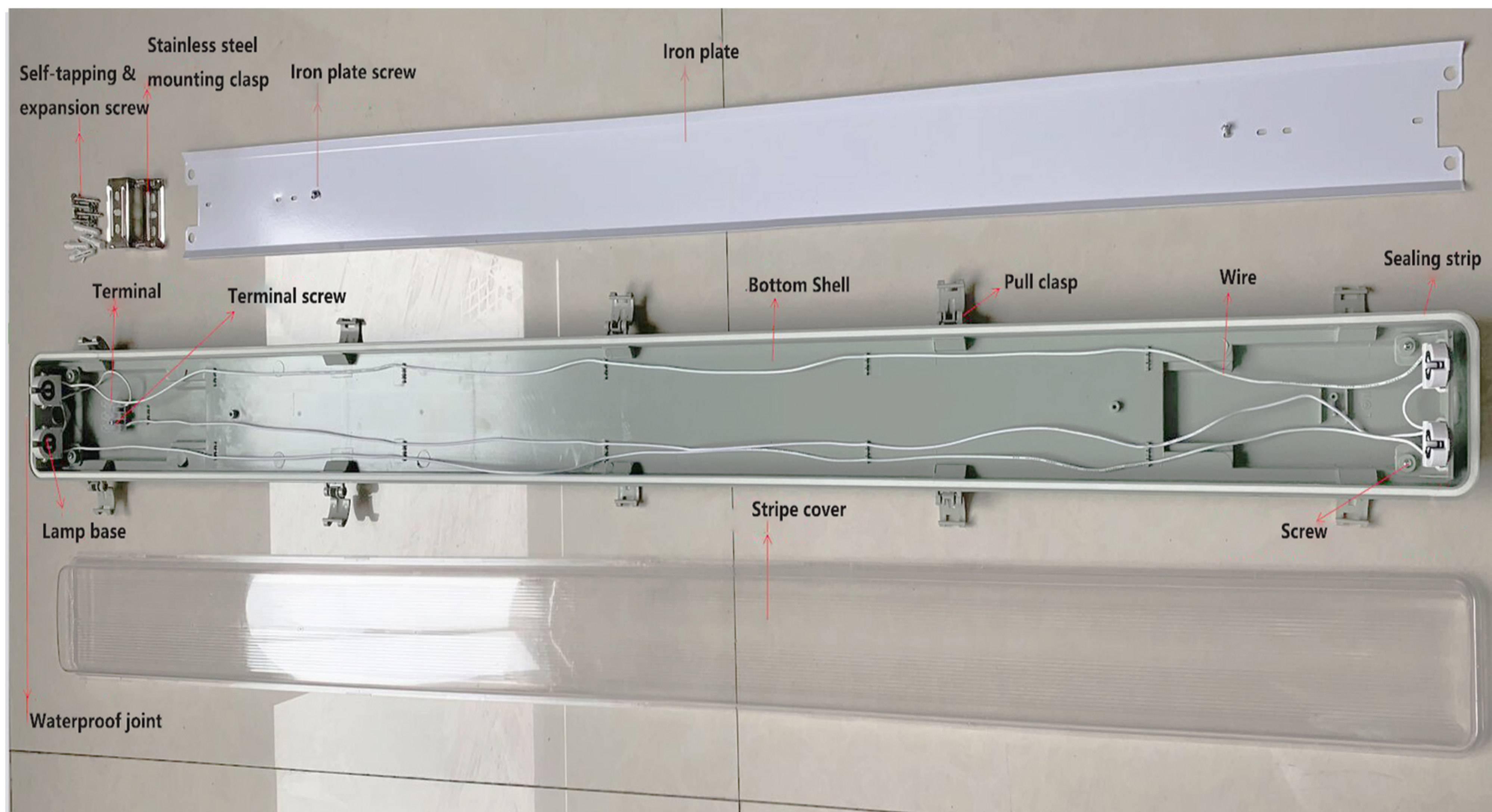




Features

- ▶ Low power consumption, High efficiency
- ▶ With high quality SMD/LED tube
- ▶ PS/PC Cover, ABS/PC base
- ▶ Long lifetime
- ▶ PF>0.9
- ▶ Fit for indoor and outdoor use
- ▶ Operating temperature -20 to 50degree

Product Description

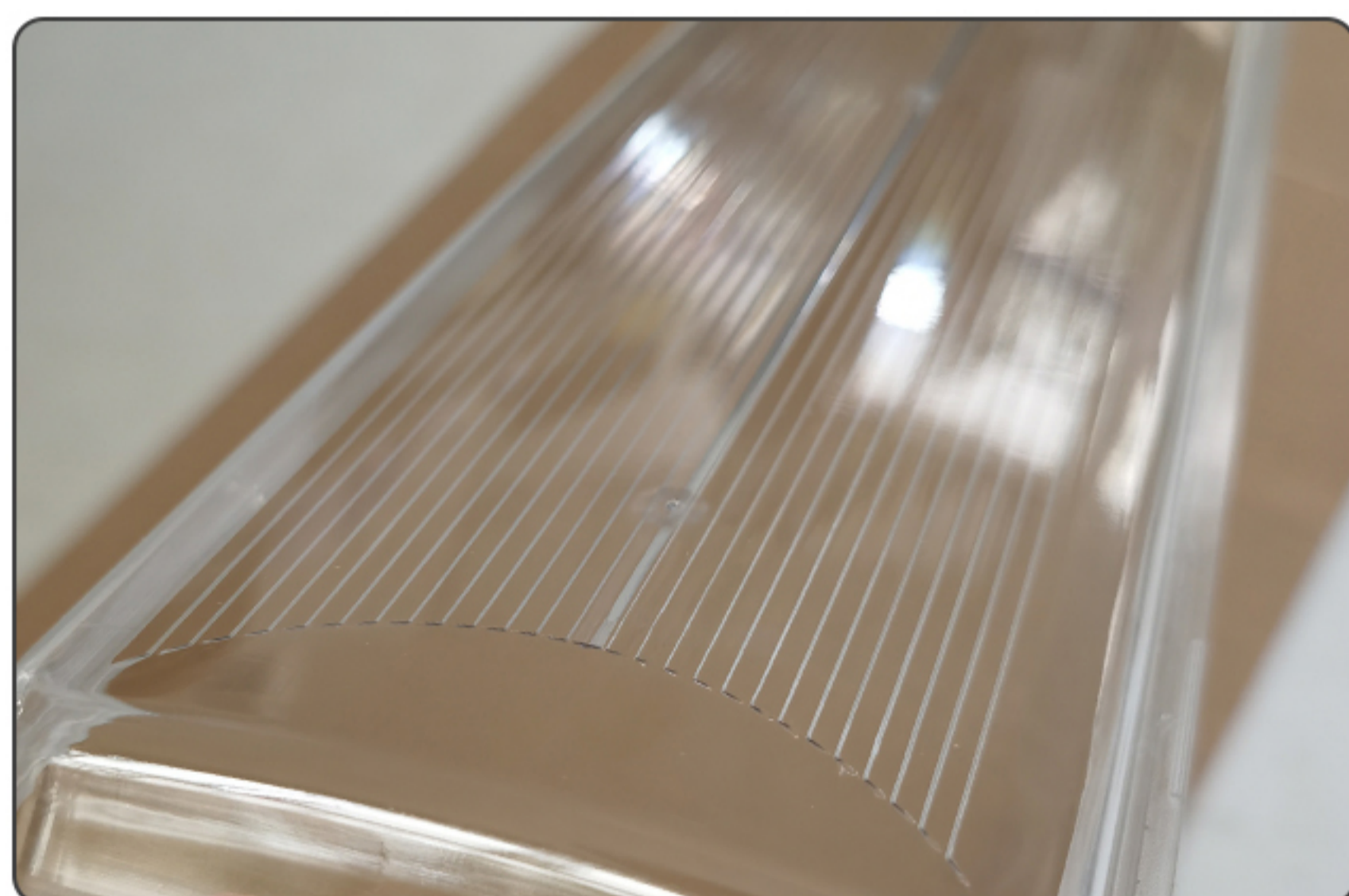


Product Details

01 Flame retardant lamp holder



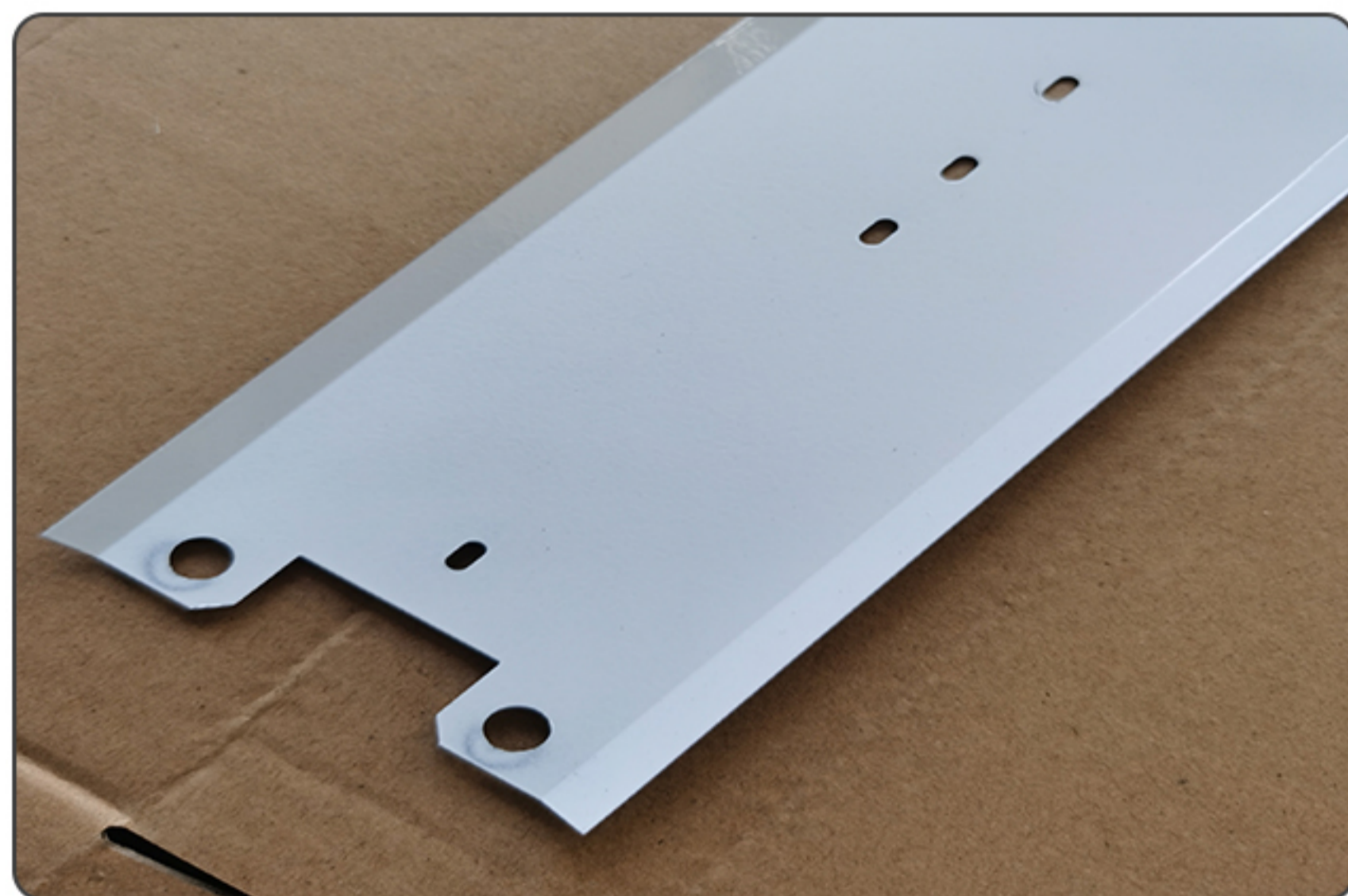
02 ABS or PC housing



03 Housing



04 Plate iron



05

Complete accessories



Specification Sheet

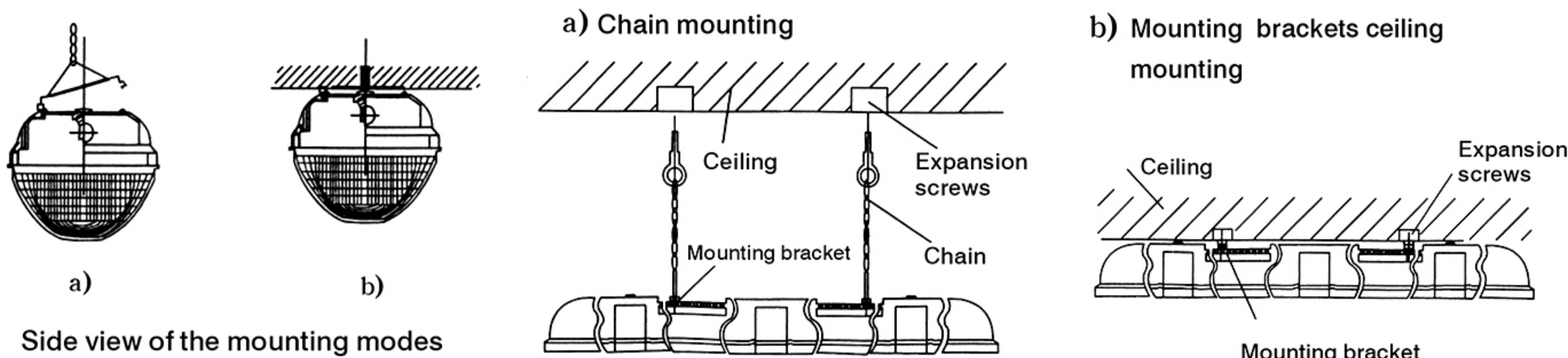
MODEL NO.	POWER(w)	DIMENSION(mm)	MOUNTING DISTANCE(mm)	CLIPS
DL-LLX-Triproof-258TX	2x58w	1571*100*70	1224	12
DL-LLX-Triproof-158TX	1x58w	1571*75*70	1224	12
DL-LLX-Triproof-236TX	2x36w	1271*100*70	761	10
DL-LLX-Triproof-136TX	1x36W	1271*75*70	761	10
DL-LLX-Triproof-218TX	2x18w	661*100*70	350	6
DL-LLX-Triproof-118TX	1x18w	661*75*70	350	6

Triple Proof Light

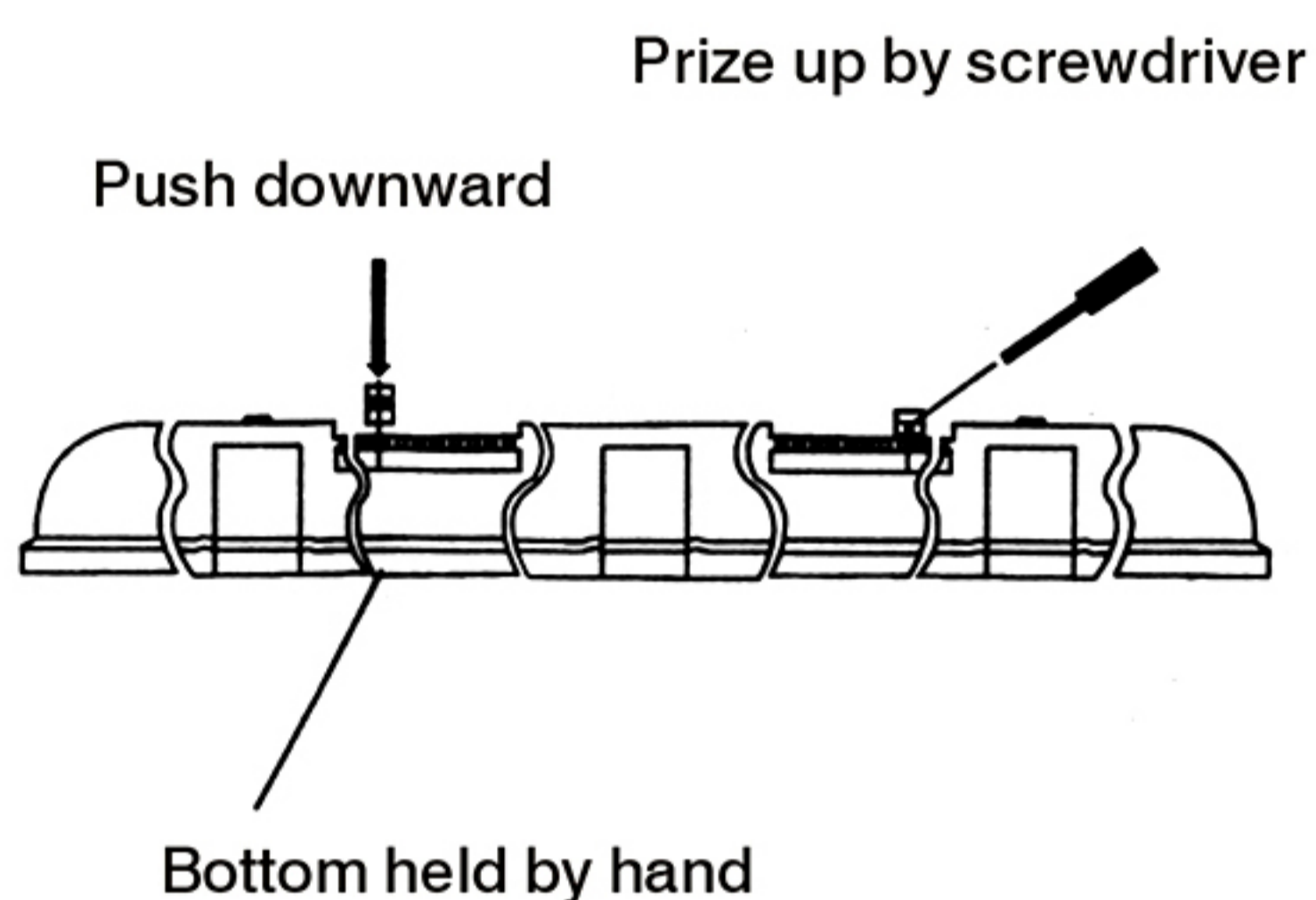
Install Instructions

1. Mounting types

- 1) There are two ways of mounting for Triproof lighting fixture: using chain or mounting bracket.
- 2) The product includes the mounting brackets and other spare parts not available.



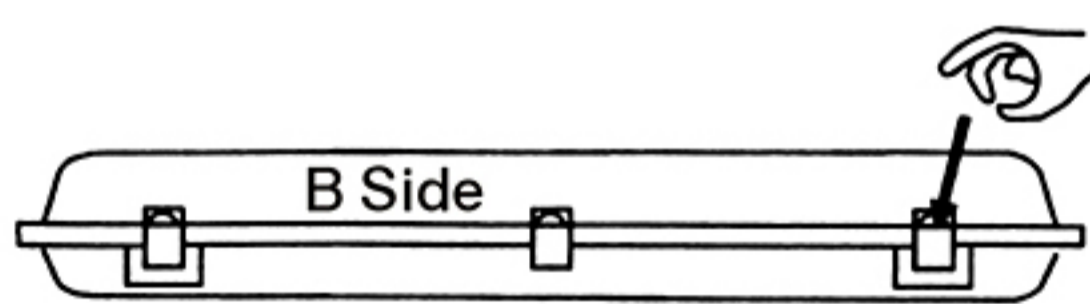
2. Mounting brackets installation and take-down



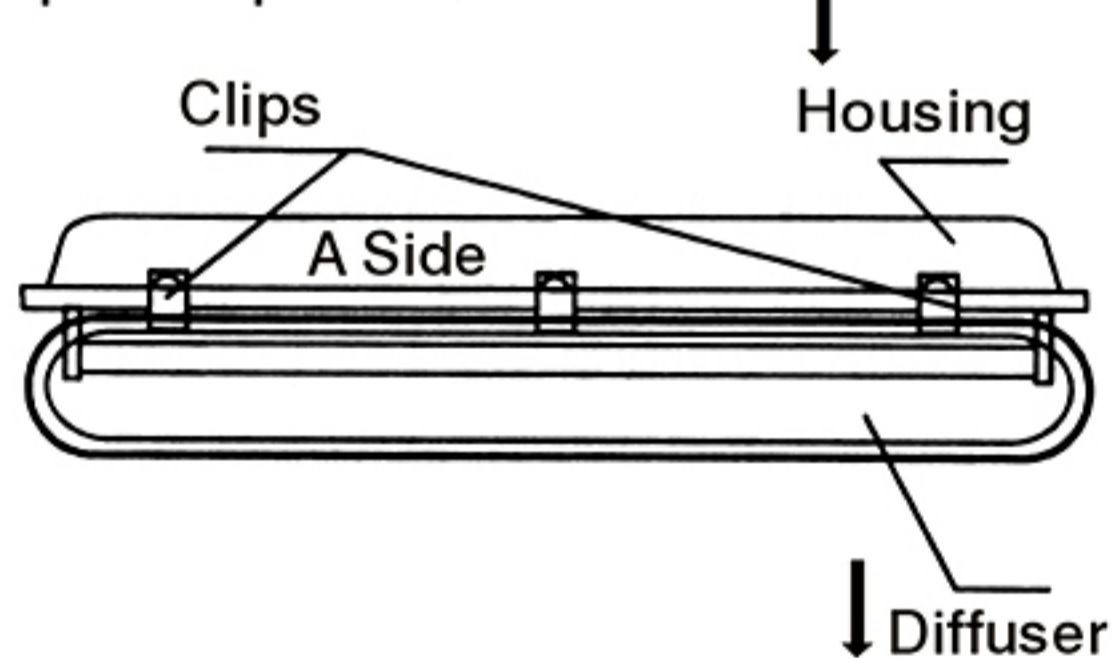
3. Lamps installation and replacement

Step 1: Slip open the PC clips

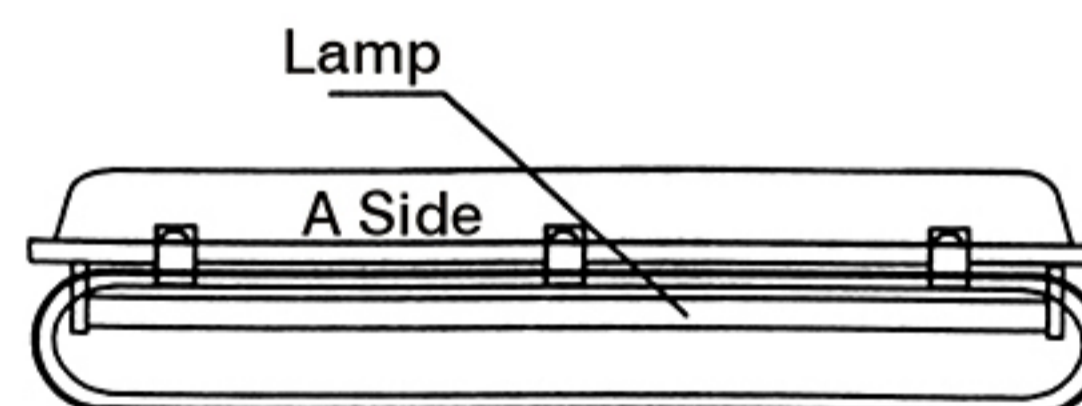
Note: Open the clips w/o reamer connect first, then open two clips with reamer connect.
 A sides: All the clips w/o reamer connect.
 B sides: Two clips on both ends with reamer connect



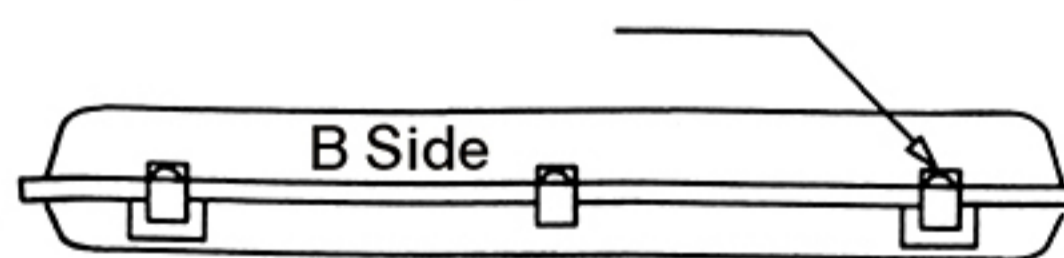
Step 2: Suspend the diffuser



Step 3: Install or replace the lamps



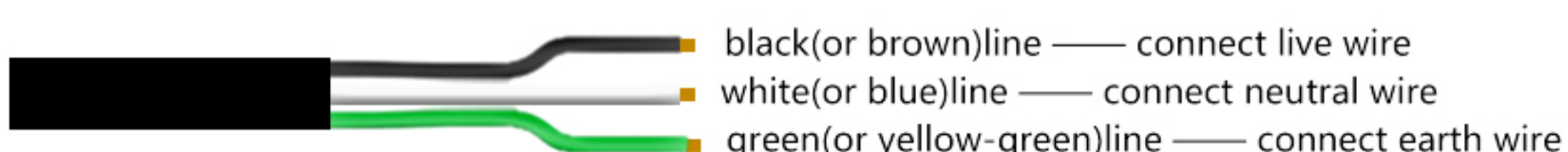
Step 4: Close the diffuser and push inward the PC clips



NOTES:

- ▶ Make sure the luminaries are installed and fitted by a qualified electrician ensuring the installation complies to the current.
- ▶ National Electrical Code and all local codes.
- ▶ Ensure all electrical connections are secure & that there are no loose strands.
- ▶ This is a Class I product and must be earthed.
- ▶ Make sure that the fixings are adequate to support the weight of the fitting.
- ▶ Before installation or maintenance, turn off electric power and allow the fitting to be cool.

WIRING INSTRUCTION OF MAIN CABLE:



⚠ WARNING:

The product must be grounded and installed in accordance with the National Electrical Code and all local codes. Failure to do so may increase the RISH OF PERSONAL INJURY, PROPERTY DAMAGE, FIRE AND DEATH

Triproof Lighting Fixture-TX Series

Triple Proof Light



PACKAGING DATA



MODEL NO.	CTN MEAS(cm)	PCS/CTN
DL-LLX-Triproof-258TX	159.5*27.5*21.5	10
DL-LLX-Triproof-158TX	159.5*22*23.5	12
DL-LLX-Triproof-236TX	129.5*27.5*21.5	10
DL-LLX-Triproof-136TX	129.5*22*23.5	12
DL-LLX-Triproof-218TX	68.5*27.5*21.5	10
DL-LLX-Triproof-118TX	68.5*22*.23.5	12

Applications:

Lighting for Parking place, Tunnel, Railway Station, Warehouse, Supermarket, Corridors and other public places.

