

# Triproof Lighting Fixture-G Series



## Features

- ▶ Low power consumption, High efficiency
- ▶ With high quality SMD/LED tube
- ▶ PS/PC Cover, ABS/PC base
- ▶ Long lifetime
- ▶ PF>0.9
- ▶ Fit for indoor and outdoor use



## Product Description



## Product Details

**01** Flame retardant lamp holder



**02** ABS or PC housing



**03** Housing



**04** Plate iron



## Specification Sheet

MODEL NO.	POWER(w)	DIMENSION(mm)	MOUNTING DISTANCE(mm)	CLIPS
DL - LLX-Triproof-258G	2x58w	1566*125*94	1325	10
DL - LLX-Triproof-158G	1x58w	1566*82*94	1325	10
DL - LLX-Triproof-236G	2x36w	1266*125*94	860	8
DL - LLX-Triproof-136G	1x36W	1266*82*94	860	8
DL - LLX-Triproof-218G	2x18w	658*125*94	447	4
DL - LLX-Triproof-118G	1x18w	658*82*94	447	4

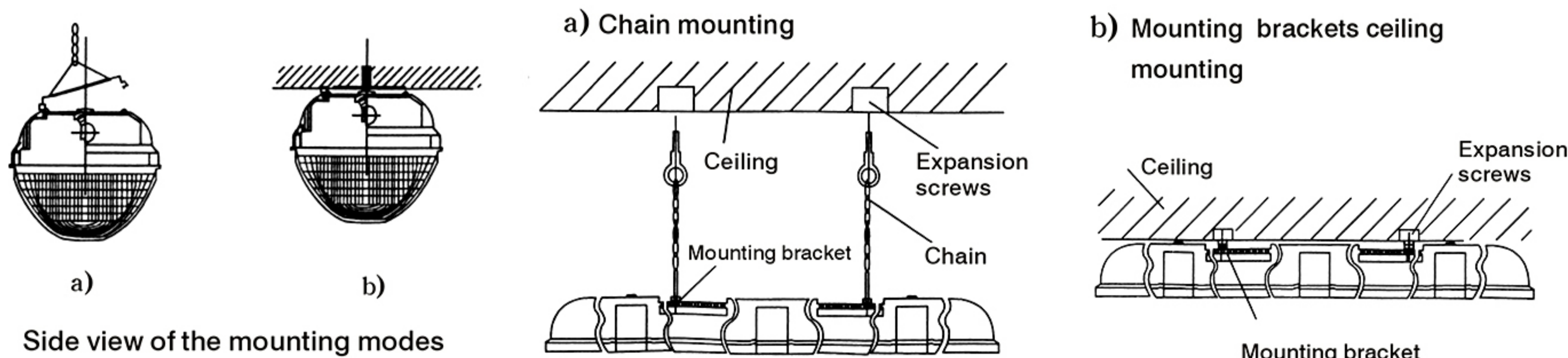


# Triple Proof Light

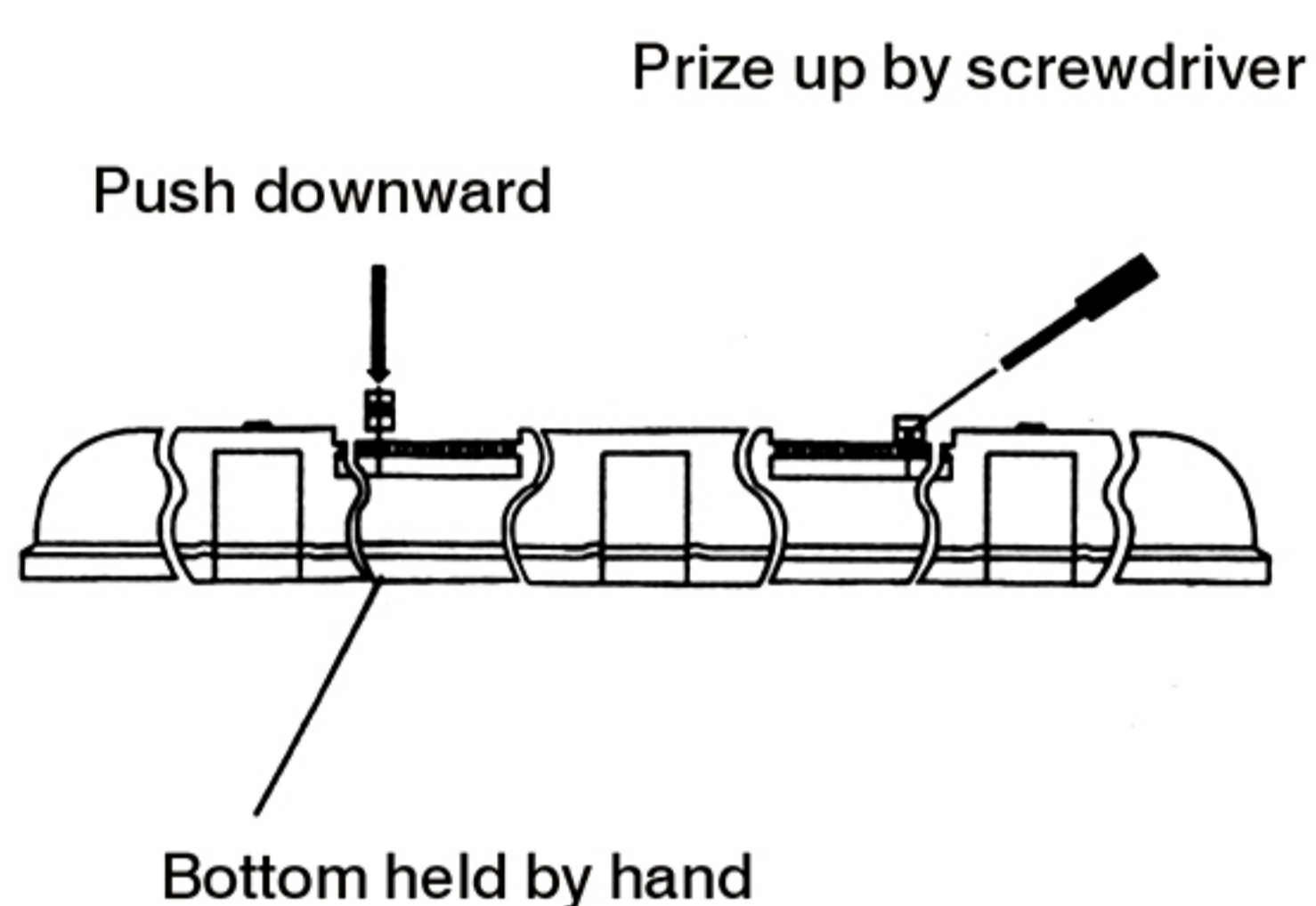
## Install Instructions

### 1. Mounting types

- 1) There are two ways of mounting for Triproof lighting fixture: using chain or mounting bracket.
- 2) The product includes the mounting brackets and other spare parts not available.



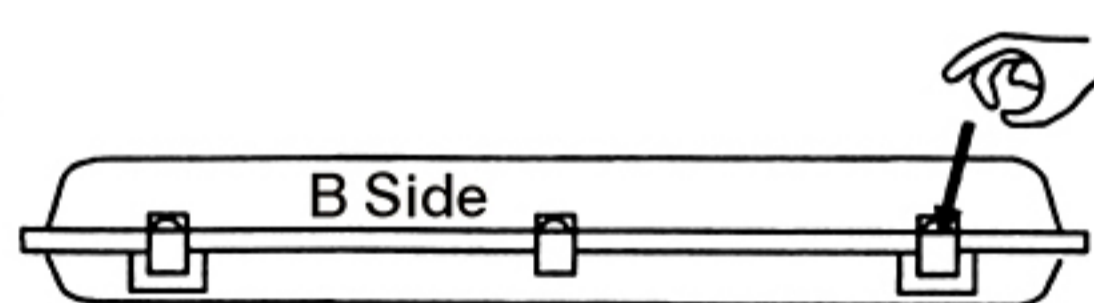
### 2. Mounting brackets installation and take-down



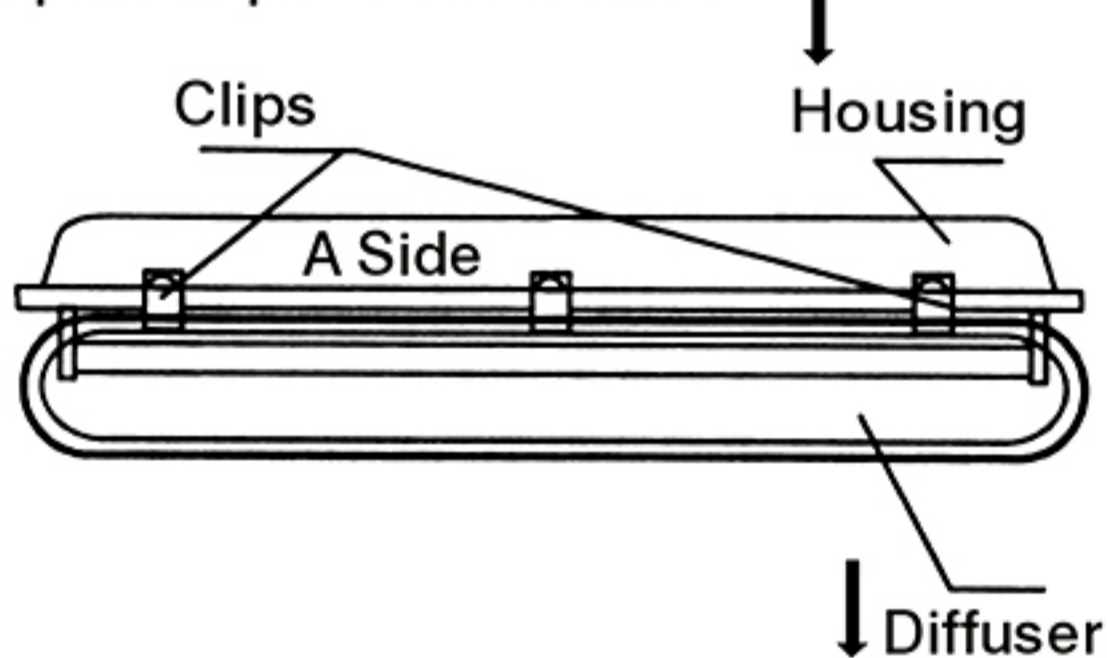
### 3. Lamps installation and replacement

#### Step 1: Slip open the PC clips

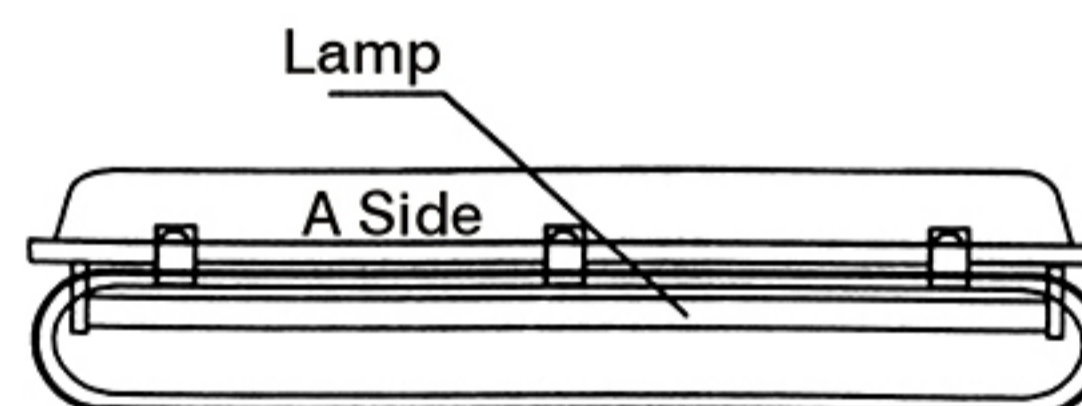
Note: Open the clips w/o reamer connect first, then open two clips with reamer connect.  
 A sides: All the clips w/o reamer connect.  
 B sides: Two clips on both ends with reamer connect



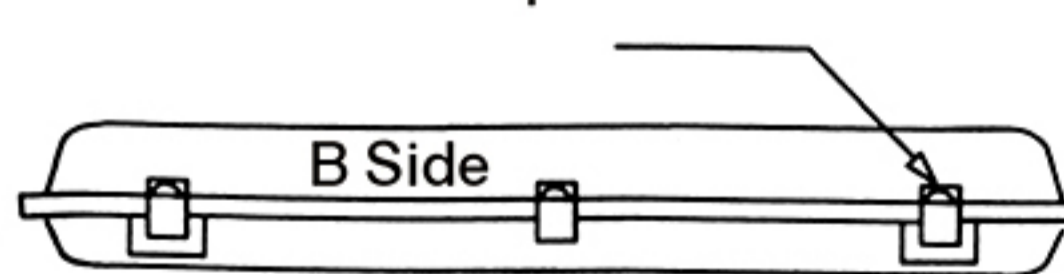
#### Step 2: Suspend the diffuser



#### Step 3: Install or replace the lamps



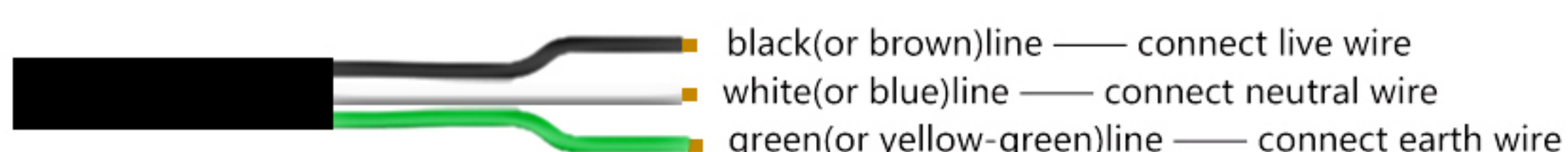
#### Step 4: Close the diffuser and push inward the PC clips



### NOTES:

- ▶ Make sure the luminaries are installed and fitted by a qualified electrician ensuring the installation complies to the current.
- ▶ National Electrical Code and all local codes.
- ▶ Ensure all electrical connections are secure & that there are no loose strands.
- ▶ This is a Class I product and must be earthed.
- ▶ Make sure that the fixings are adequate to support the weight of the fitting.
- ▶ Before installation or maintenance, turn off electric power and allow the fitting to be cool.

### WIRING INSTRUCTION OF MAIN CABLE:



### ⚠ WARNING:

The product must be grounded and installed in accordance with the National Electrical Code and all local codes. Failure to do so may increase the RISH OF PERSONAL INJURY, PROPERTY DAMAGE, FIRE AND DEATH

# Triproof Lighting Fixture-G Series

## Triple Proof Light



### PACKAGING DATA



MODEL NO.	CTN MEAS(cm)	PCS/CTN
DL-LLX-Triproof-258G	159.5*27.5*21.5	6
DL-LLX-Triproof-158G	159.5*22*23.5	8
DL-LLX-Triproof-236G	129*21.5*28.5	6
DL-LLX-Triproof-136G	128.5*28.5*20.5	8
DL-LLX-Triproof-218G	69.5*21*28.5	6
DL-LLX-Triproof-118G	69*34*20.5	10

### Applications:

Lighting for Parking place, Tunnel, Railway Station, Warehouse, Supermarket, Corridors and other public places.

