

# Twist-Lock® Devices 30A, 277V AC, 2 Pole, 3 Wire Grounding Single Flush Receptacle

# HUBBELL

## Features

- Wire restraint recess for both back and side wiring, greatly reduces the possibility of loosening the terminal connection
- Face color coding by voltage facilitates locating and mating of proper devices
- All-brass mounting and grounding system provides a lower resistance ground path and greater resistance to corrosion than steel mounting systems



30A 277V AC  
NEMA L7-30R  
UL/CSA  
3 HP



## Ordering Information

Description	Device Color	UPC	Catalog Number
Nylon face, back and side wire.	Black	783585236056	HBL2630

## Listings

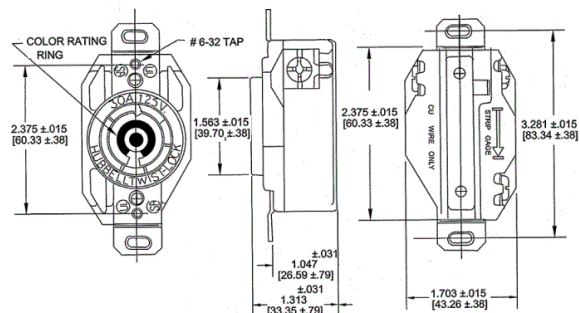
Listed to UL 498  
Fed.Spec. W-C-596  
Certified to CSA C22.2 No.42

## Specifications

Face	Nylon
Base	Glass-Reinforced thermoplastic polyester (RTP)
Contacts	Brass
Terminal Screws	#10 - 32 Brass
Mounting Strap	Brass

## Performance

<b>Electrical</b>	
Current Interrupting	Certified for current interrupting at full rated current
Dielectric Voltage	Withstands 2,000V minimum
<b>Mechanical</b>	
Terminal Accommodation	#16 AWG - #8 AWG solid or stranded copper wire only.
Terminal Identification	Terminals identified in accordance with UL 498
<b>Environmental</b>	
Flammability	V2 or better per UL94/CSA 22.2 No.0.17
Moisture Resistance	IP20 Suitability
Operating Temperatures	Maximum Continuous 75°C; Minimum -40°C (w/o impact)



## Accessories

Plug	HBL2631
Wallplate or Weatherproof Cover	1.60" Opening
Switched Enclosure	SETL3

## Resources

Customer Use Drawing  
eCatalog