

DEVANCE

SOLAR POWER



DENSBE ELECTRICAL S'pore Pte Ltd
403 RACE COURSE ROAD SINGAPORE 218653

Tel: (65) 6447 3744

Email: sales@densbe-electric.com

Website: www.densbe-electric.com

Page of Catalog

1-12 **All-In-One Solar Street Light**

SOLAR STAR LIGHT - PRO

ST2

ZAIN AIO

STARSHIP

41-44 **Wrap Solar Street Light**

ARTEMIS

ZEUS

13-30 **All-In-Two Solar Street Light**

Flyhorse Series

HS Series

Sailing Light

YL Series

Interstellar Warrior II

45-48 **Solar Garden Light**

ARES

ARKO

HADES

ATHENA

MUSE

THEMIS

31-40 **Split Solar Street Light**



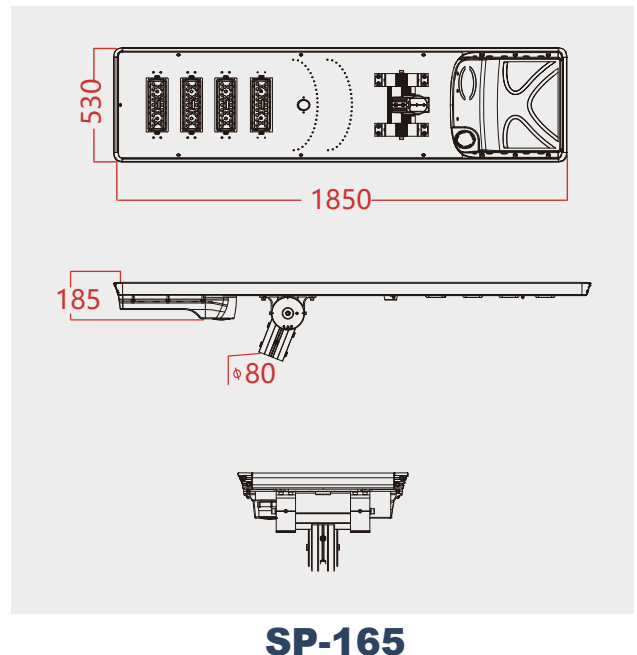
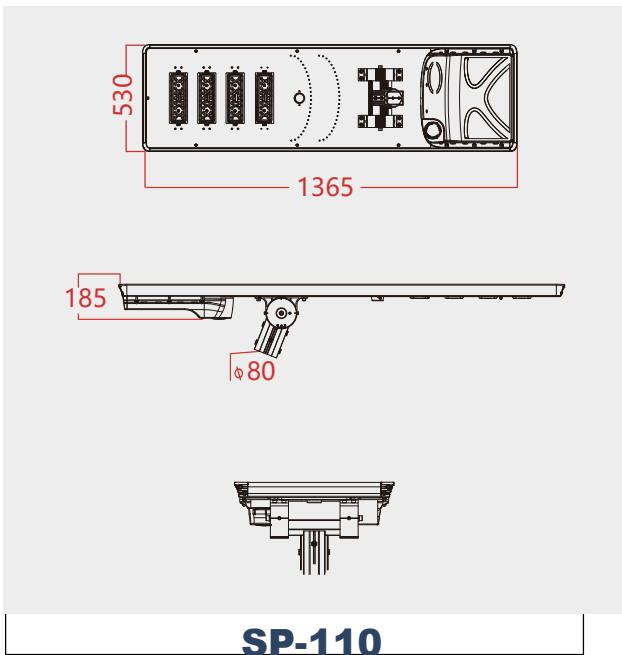
PRO
All In One
Solar Street Light

365 days lighting

Details Display



Dimension



Function



MPPT Technology

MPPT is an advanced charge mode whose full name is Maximum Power Point Tracking function which can increase the energy...



Multi-Peak MPPT

Road Smart new patent solar controller adopts multi-peak MPPT technology, which can timely track the maximum power point...



IPC 5.0 Technology

Through 10years' experience, Road Smart upgraded highly precise 5.0 version IPC technology (intelligent power control 5.0). It...



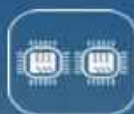
ICD Technology (Intelligent Charge and Discharge)

Using Grade A LiFePO4 battery with excellent safety performance. Road Smart's unique current equalization and dual protection...



3.2V MPPT Technology

The single-string 3.2V MPPT technology reduces the probability of battery problems by 75% than that of multi-string 12V...



Dual-core CPU Management

Road Smart integrate two cores CPU into one processor to improve the operational speed of solar controller and reduce half probabilit...



HPCV Technology

Road Smart self-developed patent solar Controller adopts HPCV technology (High precision Constant Voltage Management).



Dual Low-power Consumption

4pins plug technology to enables transportation power consumption less than 0.05mA, and circuit protection technology to...



ITC Technology (Intelligent Temperature Control)

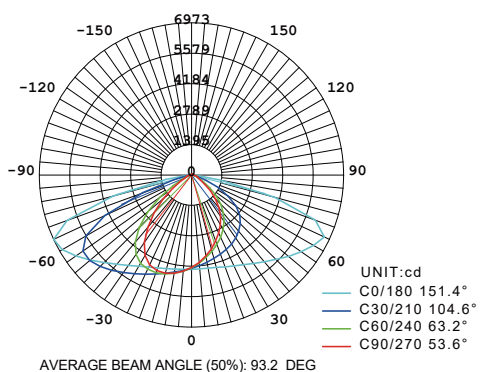
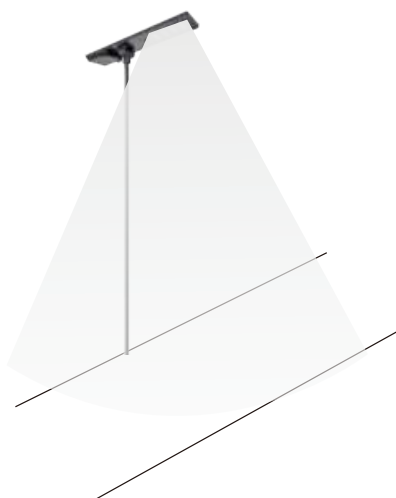
Automatically Switch off function by software at temperature limit to protect battery from long time high temperature working. Heatin...



Mode Memory Management

Road Smart system have mode memory storage function to realize one-time operation and permanent preservation.

Light Distribution



Main Specification

Model NO.	AL-Z65W	AL-Z100W
Lamp Power	65W	100W
Solar Panel	110W	160W
Lithium Battery	640WH	1280WH
LED Quantity	SMD3030 400pcs	
Luminous Flux	10400LM	16000LM
Dimension	1365*530*185mm	1865*530*185mm
CCT	3000-6500K	
CRI	>70Ra	
Charging Time	4-6 hours	
Working Time	2-4 rainy days	
Working Temperature	-20°C ~60°C	
Lifespan	≥50000hours	
Material	Aluminum alloy	
IP Rating	IP65	
Case Diameter	76mm	
Mounting Height	8-12m	
Mounting Distance	30-40m	



ST2

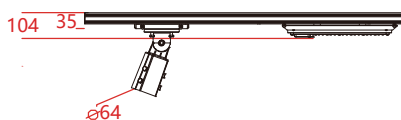
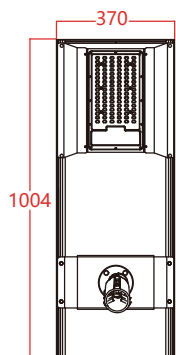
SOLAR STAR LIGHT

SOLAR PANEL POWER:60W-160W

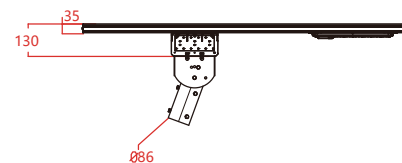
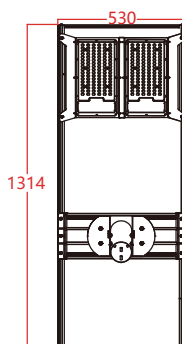
LUMENS:5000lm-20000lm



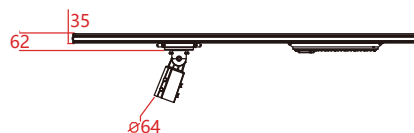
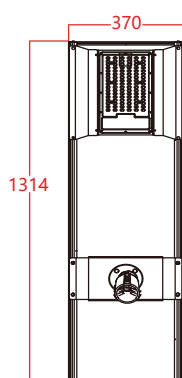
Dimension



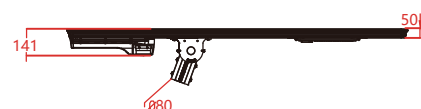
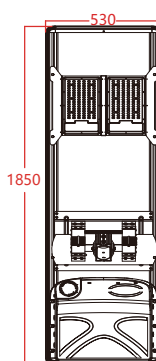
ST2-30/40



ST2-80/100



ST2-60



ST2-160

Main Specification

Model NO.	ST2-30	ST2-40	ST2-60	ST2-80	ST2-100	ST2-160
Lamp Power		140pcs			280pcs	
Solar Panel	60W/5V	60W/5V	80W/18V	110W/18V	110W/18V	160W/18V
Lithium Battery	144WH/45AH	240WH/75AH	384WH/120AH	512WH/160AH	640WH/200AH	896WH/280AH
LED Quantity		140pcs			280pcs	
Luminous Flux	5000lm	6000lm	10000lm	13000lm	15000lm	20000lm
Dimension	1004×370×104mm	1004×370×104mm	1314×370×62mm	1314×530×130mm	1314×530×130mm	1850×530×141mm
CCT	3000-6500K					
CRI	>70Ra					
Charging Time	4-6 hours					
Working Time	2-4 rainy days					
Working Temperature	-20℃~60℃					
Lifespan	≥50000hours					
Material	Aluminum alloy					
IP Rating	IP65					
Case Diameter	760mm					
Mounting Height	8-12m					
Mounting Distance	30-40m					



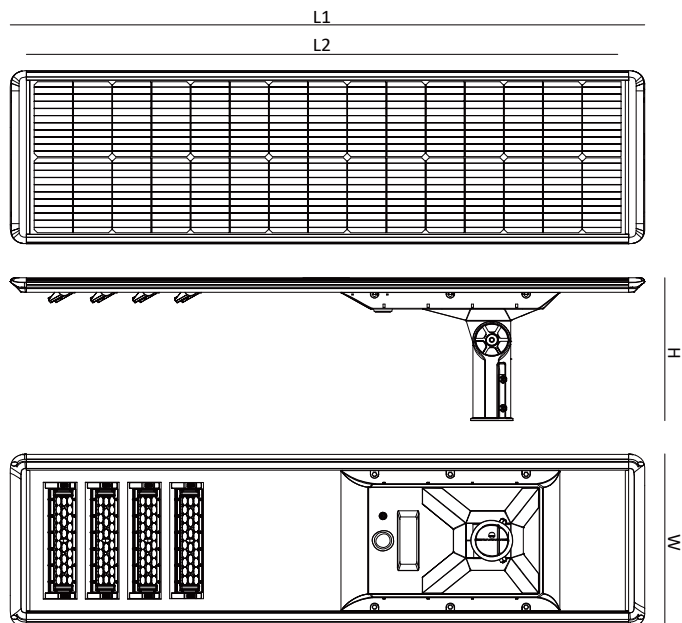
ZAIN Solar Street Light

ZAIN is the perfect solar lighting for the outdoors, it caters requirements of all applications, ZAIN has wide power ranges from 50W to 180W which apply pole heights from 5 meters to 14 meters. The strong point of ZAIN feature is its adjustable led modules, the angle of the led modules is easy to be adjusted manually in order to make the lights fall on the road properly and let the solar panel face the sun as much as possible.

The highest power of solar panels is 196W and the battery capacity is up to 25.6V 60AH, The solar panel and battery box are attached to each other by 6 screws which makes future maintenance accessible easily for repair or replacement.

The new generation of ZAIN series solar lights is the perfect choice to help you expand your solar lighting business.

Dimension



Main Specification

Model NO.	AL-Y50W	AL-Y60W	AL-Y80W	AL-Y100W	AL-Y120W	AL-Y140W
Lamp Power	50W	60W	80W	100W	120W	140W
Solar Panel	18V 64W	18V 82W	18V103W	18V 125W	36V 135W	36V 158W
Lithium Battery	12.8V 384WH	12.8V 460WH	12.8V 614WH	12.8V768WH	25.6V 921WH	25.6V 1075WH(max battery capacity 25.6V 1536WH)
LED Quantity	SMD5050*32pcs	SMD5050*32pcs	SMD5050*48pcs	SMD5050*64pcs	SMD5050*64pcs	SMD5050*80pcs
Luminous Flux	8,500lm	10,200lm	13,600lm	17,000lm	20,400lm	23,800lm
Dimension	910*420*350mm	1100*420*350mm	1300*420*350mm	1590*420*350mm	1360*530*380mm	1480*530*380mm
CCT	3000-6500K					
CRI	>70Ra					
Charging Time	4-6 hours					
Working Time	2-4 rainy days					
Working Temperature	-20°C~60°C					
Lifespan	≥50000hours					
Material	Aluminum alloy					
IP Rating	IP65					
Case Diameter	76mm					
Mounting Height	8-14m					
Mounting Distance	30-40m					

Structural Mechanics

The combatant series light source adopts modular design, corrosion-resistant aluminum alloy shell, and tempered stainless steel. The combatant series adopts IP65 and IK08 shell, which increases the strength. It is carefully designed and durable, and can be controlled no matter in rain, snow or storm.



Rotatable Bracket

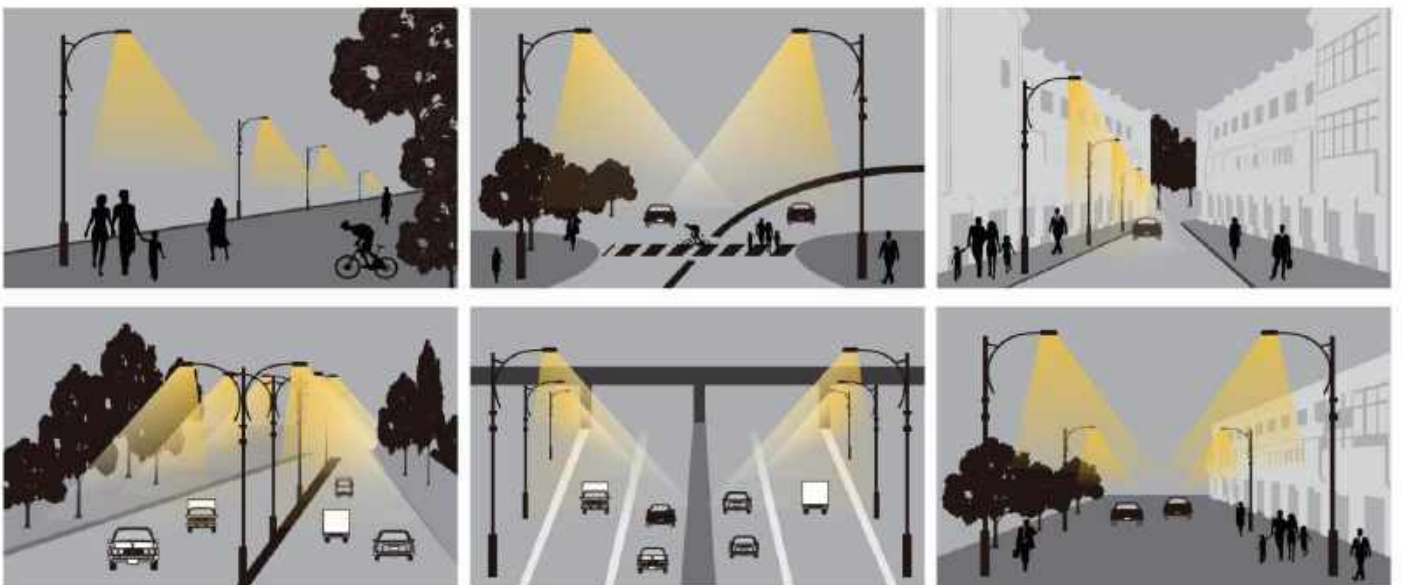
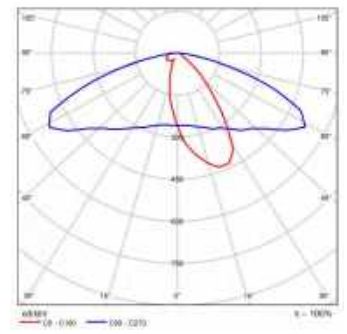
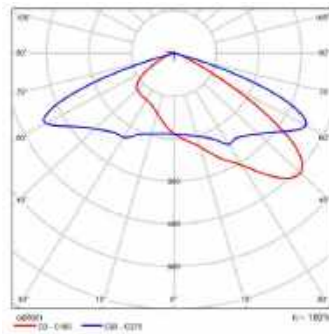


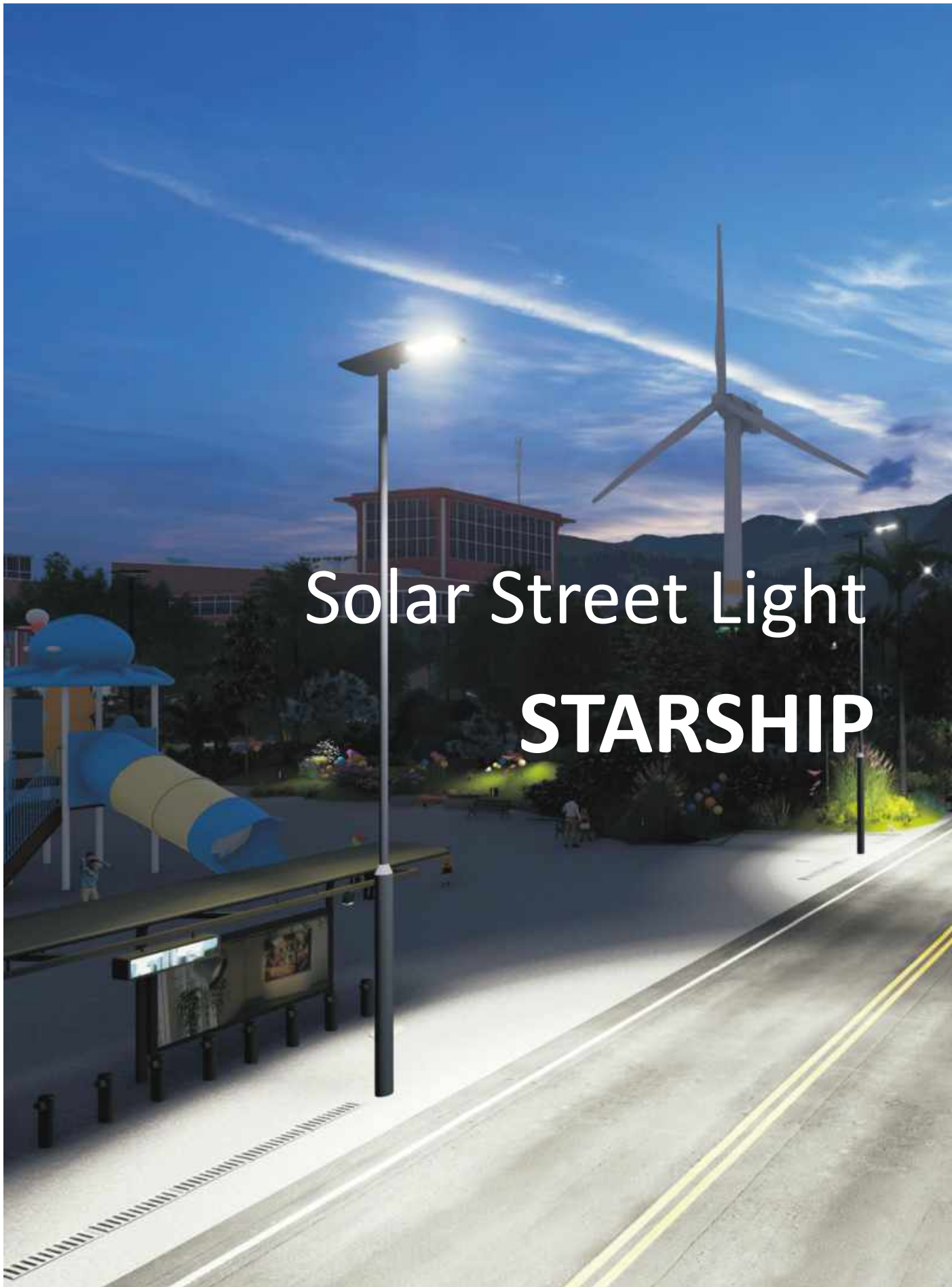
AL-Y50WZ AL-Y60WZ AL-Y80WZ



AL-Y100WZ AL-Y120WZ AL-Y140WZ

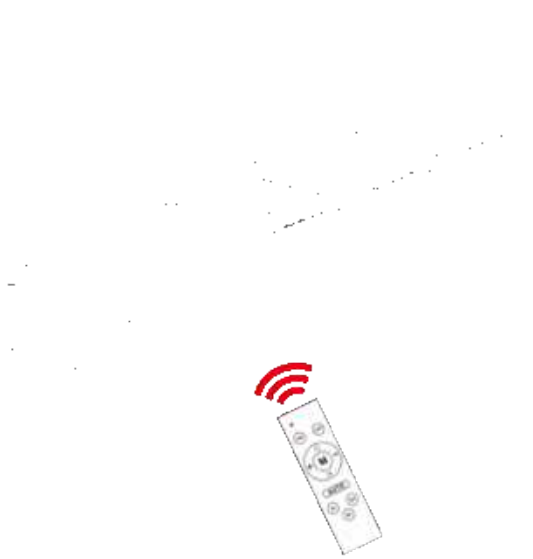
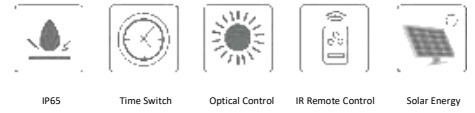
Streets, paths and bike paths
 Residential streets Shared zones,
 commercial Streets in urban
 areas Rural roads, Urban roads
 Motorways and ring roads





Solar Street Light
STARSHIP

Main Specification



MJ-SSO100 MJ-SSO200 MJ-SSO300 MJ-SSO400

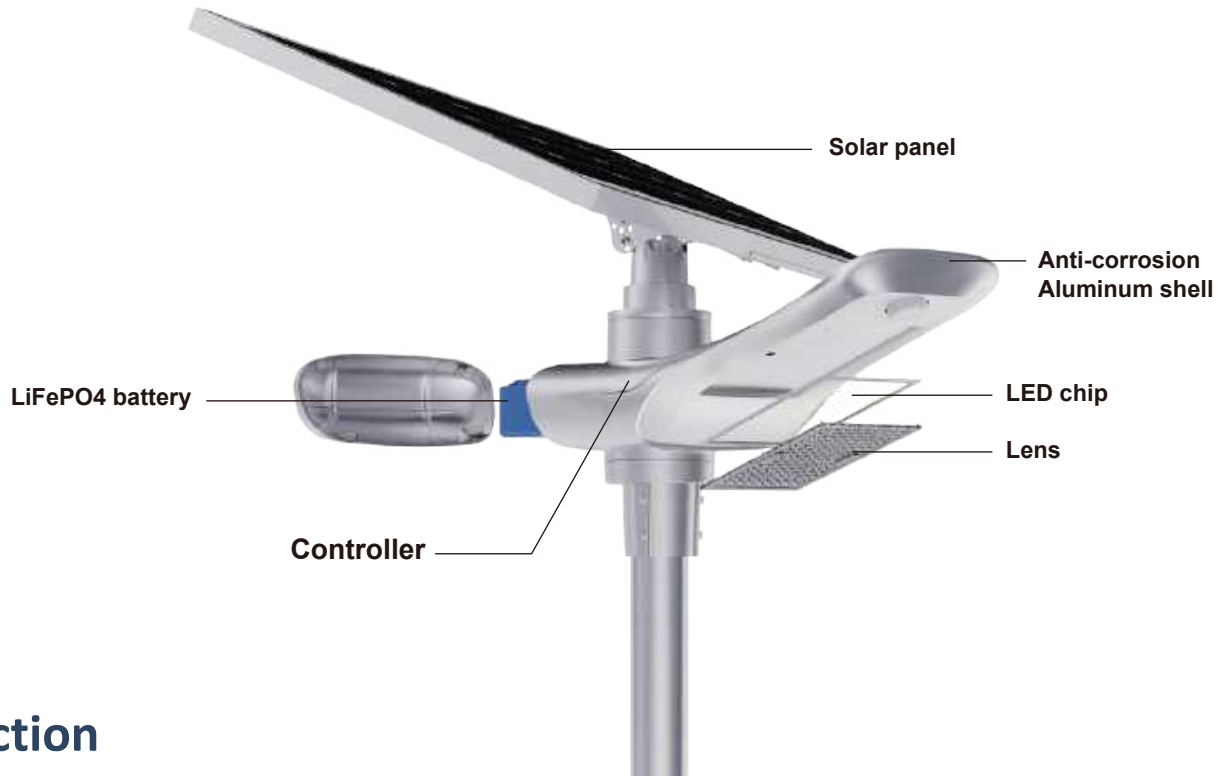
Model NO.	MJ-SSO100	MJ-SSO200	MJ-SSO300	MJ-SSO400
Lamp Power	30W	40W	60W	80W
Solar Panel	60W	75W	90W	110W
Lithium Battery	192WH	224WH	304WH	448WH
LED Quantity	45 PCS SMD5050	90 PCS SMD5050	135 PCS SMD5050	180 PCS SMD5050
Luminous Flux	4500lm	6500lm	8500lm	12000lm
Dimension	932*365*160mm	1122*365*160mm	1342*365*160mm	1672*365*160mm
CCT	3000-6500K			
CRI	>70Ra			
Charging Time	4-6 hours			
Working Time	2-4 rainy days			
Working Temperature	-20°C ~60°C			
Lifespan	≥50000hours			
Material	Aluminum alloy			
IP Rating	IP65			
Case Diameter	60mm			
Mounting Height	5~8m			
Mounting Distance	15~30m			



Solar Flyhorse Light



Dimension

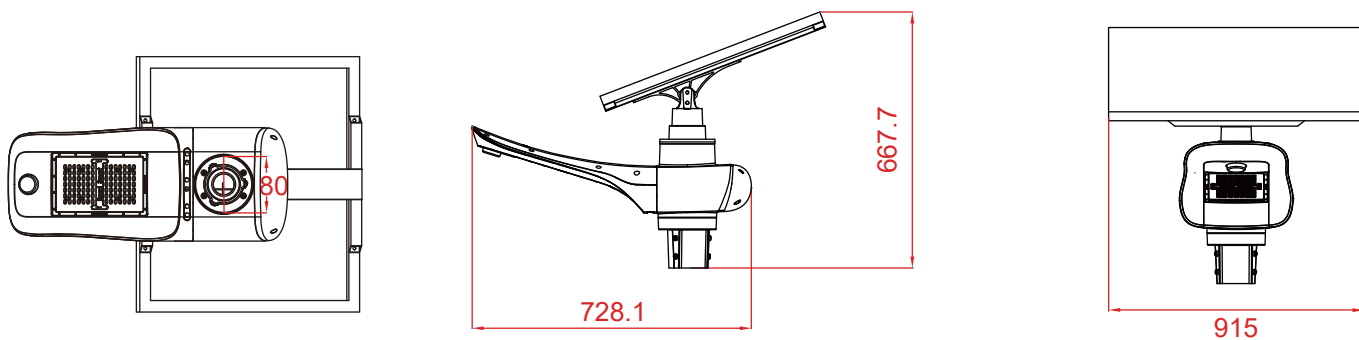


Function

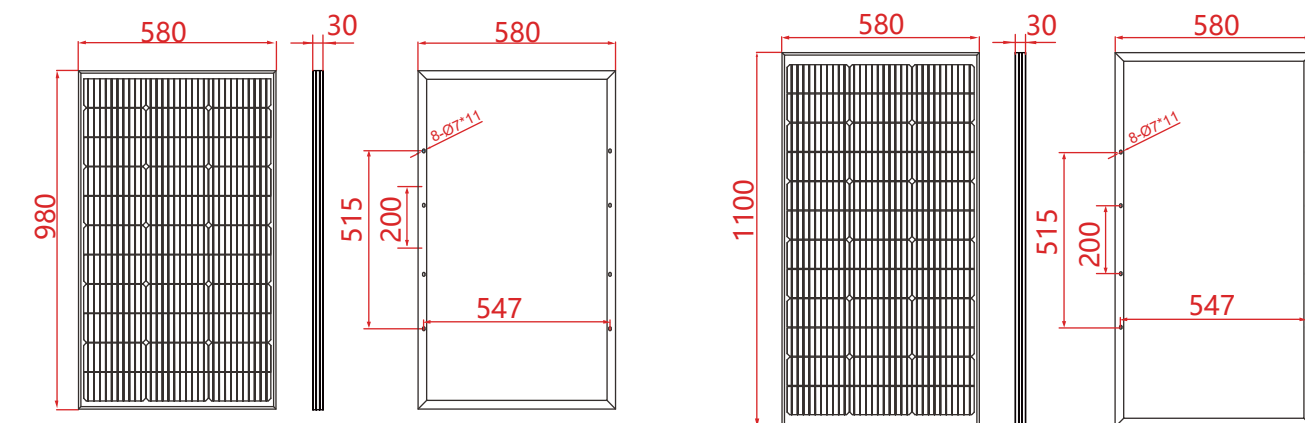
<p>High Efficiency LED Chips</p> <p>Using high efficiency 140pcs of 5050 LED chips, optimized brightness, single lumen value>190lm/w, with the aluminum chip base makes excellent heat dissipation.</p>	<p>MPPT Technology</p> <p>MPPT is an advanced charge mode whose full name is Maximum Power Point Tracking function which can increase the energy utilization rate by 15% to 20% than the PVM controller.</p>	<p>Multi-Peak MPPT</p> <p>Road Smart new patent solar controller adopts multi-peak MPPT technology, which can timely track the maximum power point and improve the conversion efficiency of solar panels.</p>
<p>IPC 5.0 Technology</p> <p>Through 10years'experience, Road Smart upgraded highly precise 5.0 version IPC technology (intelligent power control 5.0). it will intelligently detect recent weather conditions,reasonably plan the discharge power to achieve more rainy days.</p>	<p>Patent Bat-wing Lens</p> <p>Lighting area much wider, the maximum of using the lighting all light the road,increase the installation distance to 50m.</p>	<p>ICD Technology (intelligent Charge and Discharge)</p> <p>Using Grade A LiFePO4 battery with excellent safety performance, Road Smart's unique current equalization and dual protection(software and hardware) enable the battery's capacity remains at 90% after 2000 cycles Lifetime is 4 times longer than that of lead-acid batteries.</p>
<p>ITC Technology (intelligent Temperature Control)</p> <p>Automatically Switch off function by software at temperature limit to protect battery from longtime high temperature working. Heating up function to protect battery at Low temperature atmosphere. Extend longer lifetime of the whole system.</p>	<p>Unique Integration Design</p> <p>Easy to transport, install and maintain.</p>	<p>Application</p> <p>City Road, Country Roads, Park Path. Highway,Parking Lot, Square.</p>

Dimension

Lamp holder

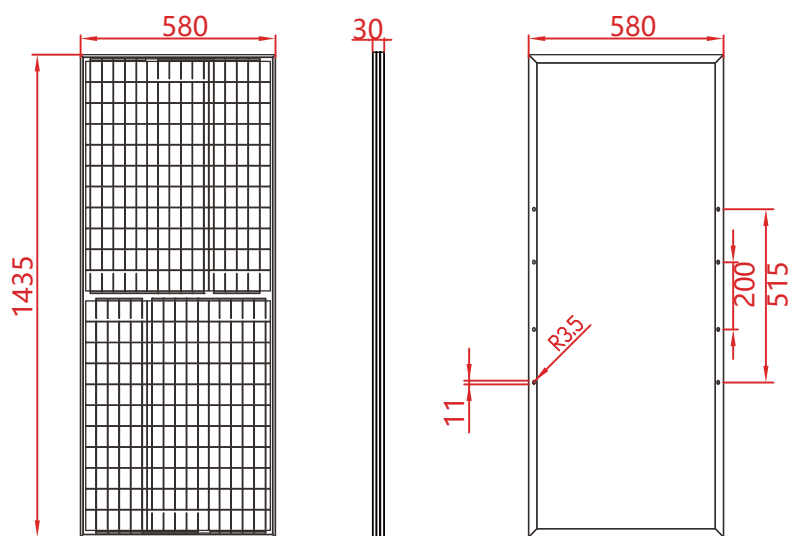


Solar panels



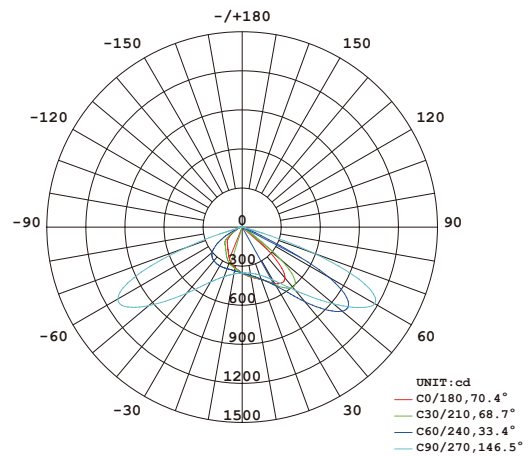
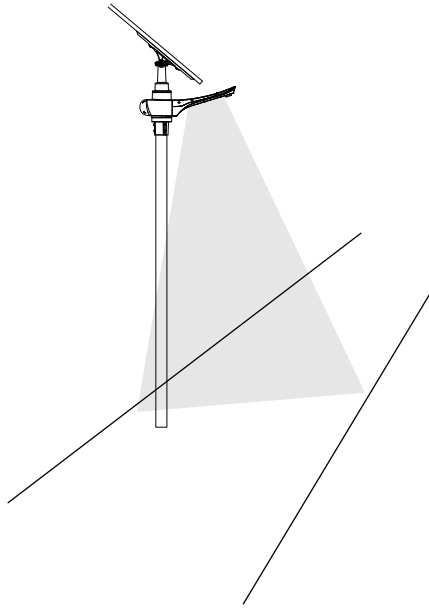
100W

120W



150W

Light Distribution



Beam Angle: X-axis: 158° Y-axis: 62°

Main Specification

Model NO.	RS-FH100	RS-FH120	RS-FH150
Lamp Power	30W	40W	50W
Solar Panel	100W/18V	120W/18V	150W/18V
Lithium Battery	380WH	460WH	610WH
LED Quantity	SMD5050*32pcs	SMD5050*32pcs	SMD5050*48pcs
Luminous Flux	6,100lm	7,700lm	9,300lm
Dimension	728×668×915mm		
CCT	3000-6500K		
CRI	>70Ra		
Charging Time	4-6 hours		
Working Time	5-7 rainy days		
Working Temperature	-20°C ~60°C		
Lifespan	≥50000hours		
Material	Aluminum alloy		
IP Rating	IP65		
Case Diameter	76mm		
Mounting Height	8-14m		
Mounting Distance	20-40m		



Solar Street Light HS

POWER: 100W to 130W

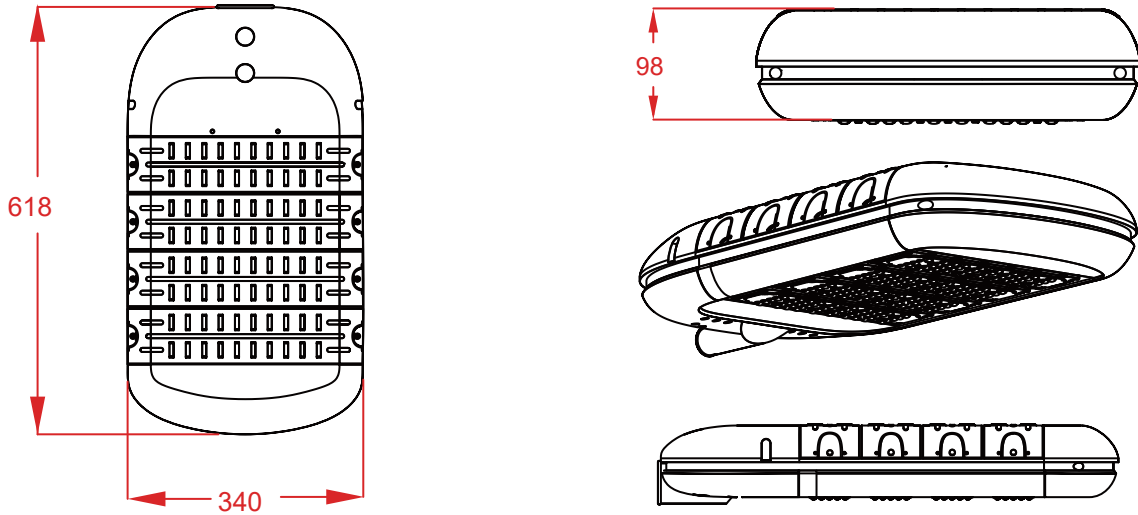
LiFePO4 Battery 1920WH

MPPT smart control system

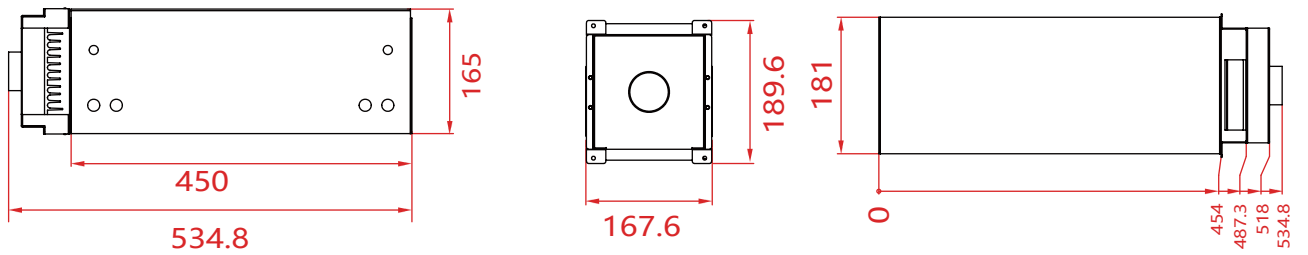


Dimension

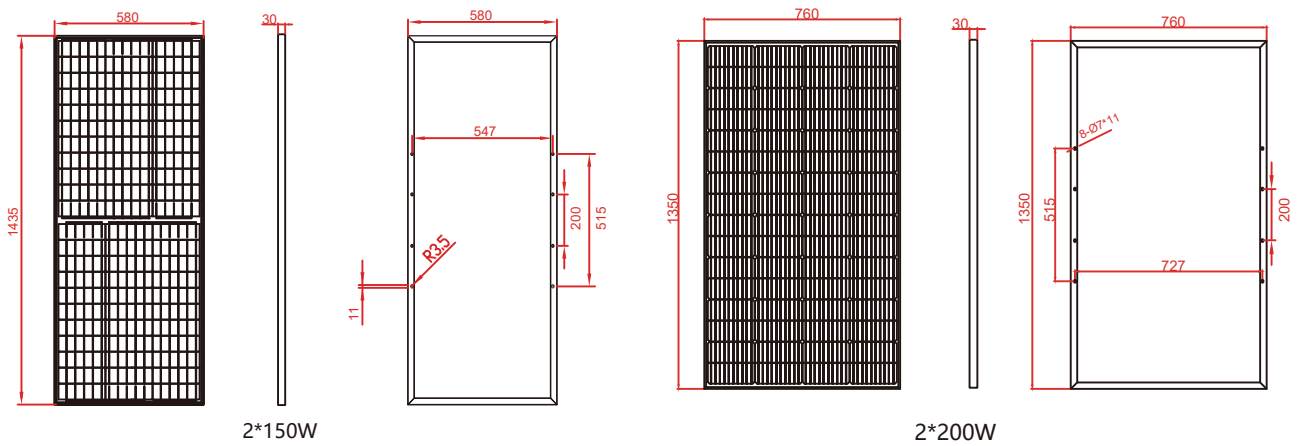
Lamp Holder Size



Battery Box Size and Its Hole Site Diagram




Solar panel



Characteristic

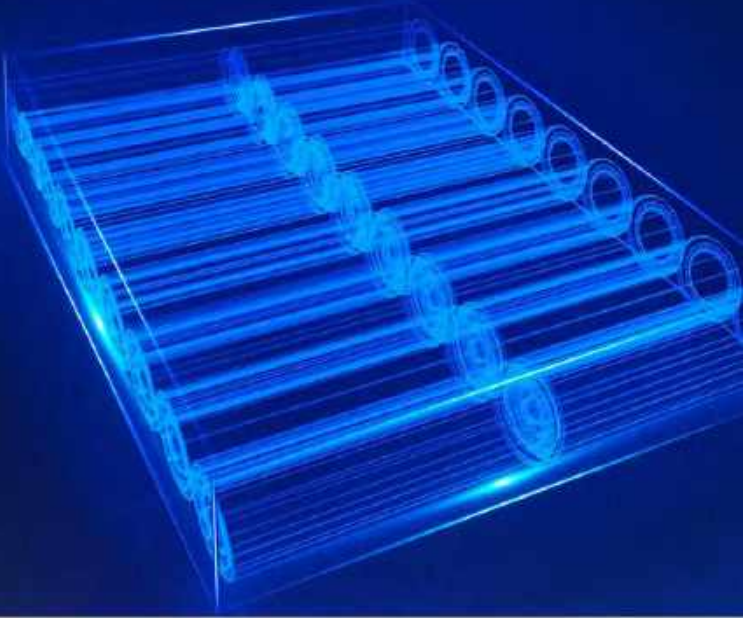
High quality LED Chip
Luminous efficiency 150LM/W



New MSDS certified A + LiFePO4 battery

Large capacity Lifepo4 Battery
Intelligent mode Lighting time 3 to 5 rainy days

Long life,2000 deep cycles, no memory effect, high efficiency,
good high temperature resistance, low self -discharfe rate



Smart Light Control

Smart Control System

Smart time control

Intelligent Dimming



Details Display



Model NO.	RS-HS300	RS-HS400
Lamp Power	100W	130W
Solar Panel	2*150 W	2*200W
Lithium Battery	1536WH	1920WH
LED Quantity	SMD3030 400pcs	
Luminous Flux	16000lm	20800lm
Dimension	Lamps Head: 618×340×98mm	
CCT	6000-6500K	
CRI	>70Ra	
Charging Time	4-6 hours	
Working Time	5-7days	
Working Temperature	-20℃~60℃	
Lifespan	≥50000hours	
Material	Aluminum alloy	
IP Rating	IP65	
Case Diameter	760mm	
Mounting Height	8-12m	
Mounting Distance	30-40m	

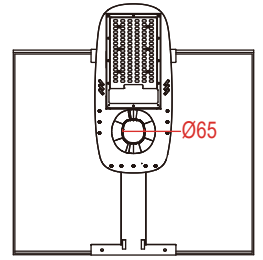
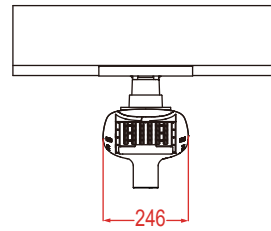
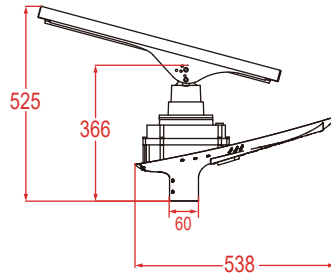
SOLAR SAILING LIGHT SERIES

Solar Sailing Light II
Solar Sailing Light III

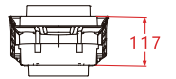
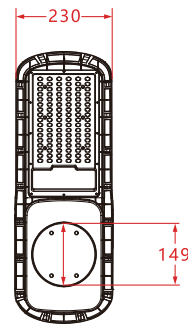
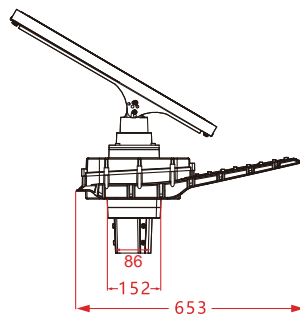
Dimension

Lamp Holder Size

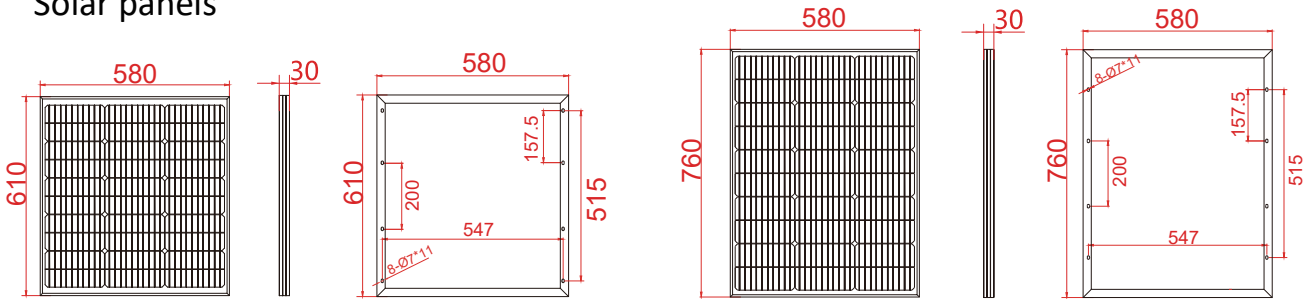
Solar Sailing Light II



Solar Sailing Light III

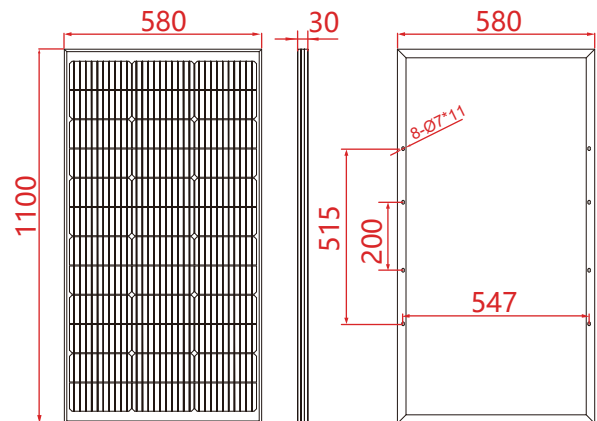
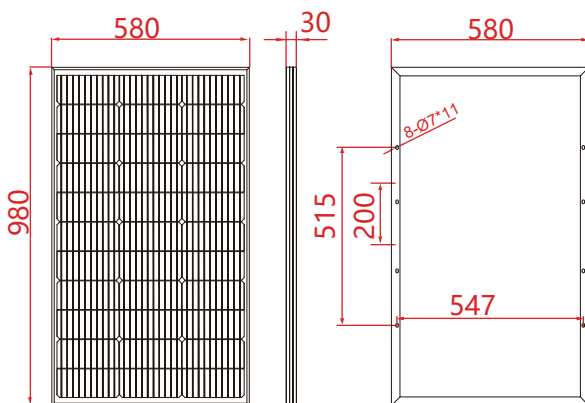


Solar panels



60W

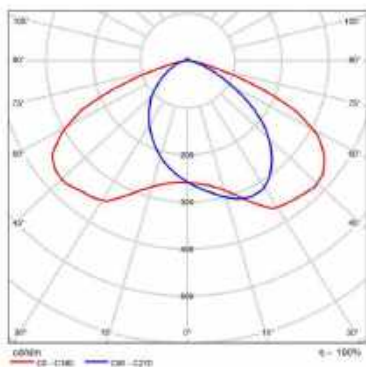
80W



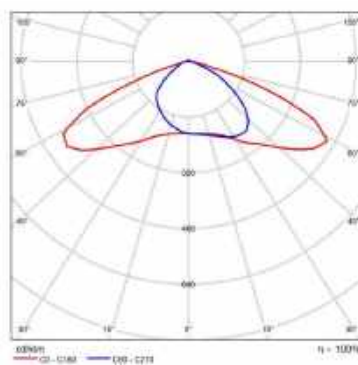
100W

120W

Light Distribution



Solar Sailing Light II



Solar Sailing Light III

Function

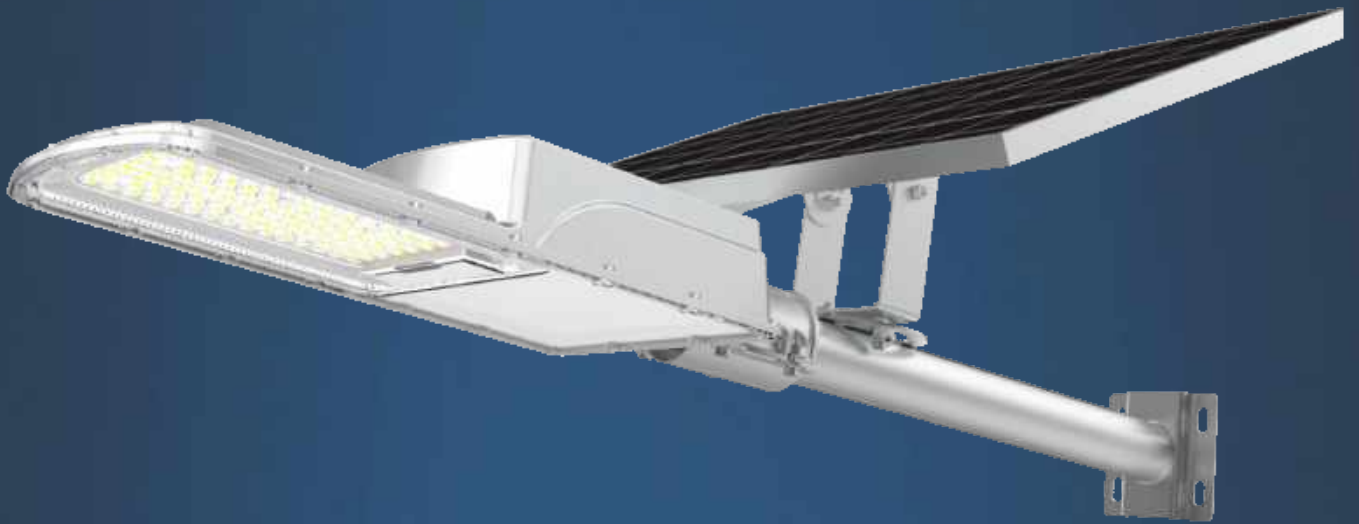


Details Display



Main Specification

Model NO.	RS-SL80P	RS-SL100P	RS-SL120P	RS-SL120-A	RS-S120P	RS-SL300P
Lamp Power	30W	40W	50W	60W	80W	100W
Solar Panel	60W	80W	80W	100W	120W	150W
Lithium Battery	192WH	256WH	320WH	384WH	512WH	640WH
LED Quantity	140pcs(3030)			140pcs(5050)		140pcs(5050)
Luminous Flux	4,300lm	6,300lm	7,200lm	9,000lm	12,600lm	14,400lm
Dimension	550×642×244mm					
CCT	3000-6500K					
CRI	>70Ra					
Charging Time	4-6 hours					
Working Time	5-7 rainy days					
Working Temperature	-20℃~60℃					
Lifespan	≥50000hours					
Material	Aluminum alloy					
IP Rating	IP65					
Case Diameter	60 mm			76mm		
Mounting Height	8-12m					
Mounting Distance	30-40m					



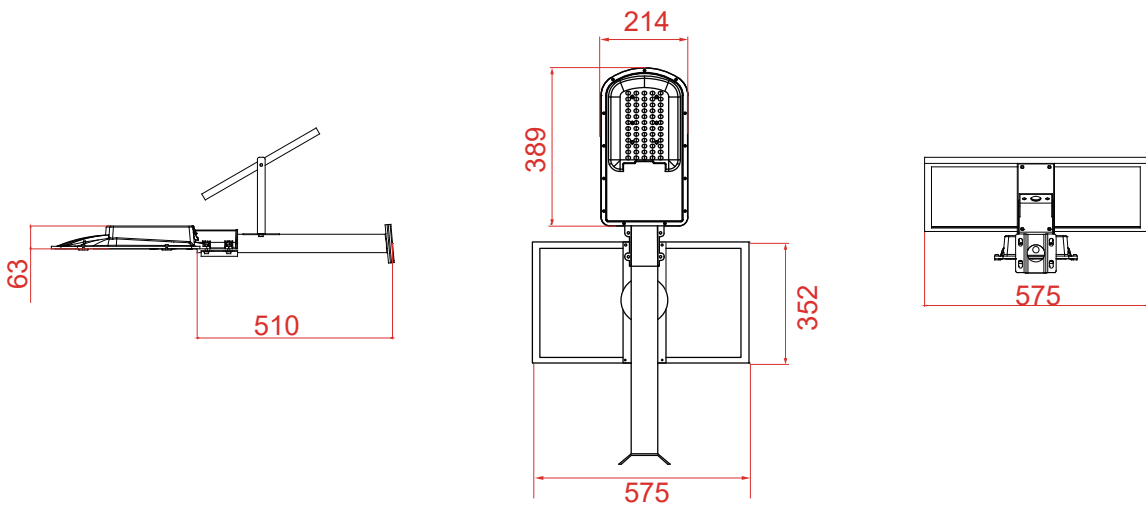
Solar Street Light YL series

YL-30P

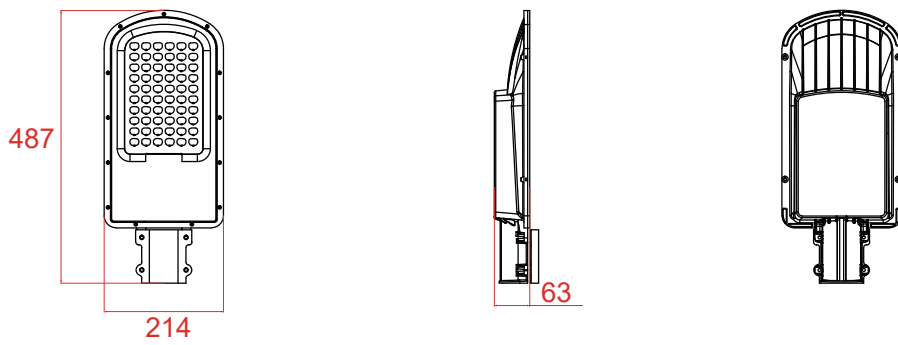
YL-60P

Dimension

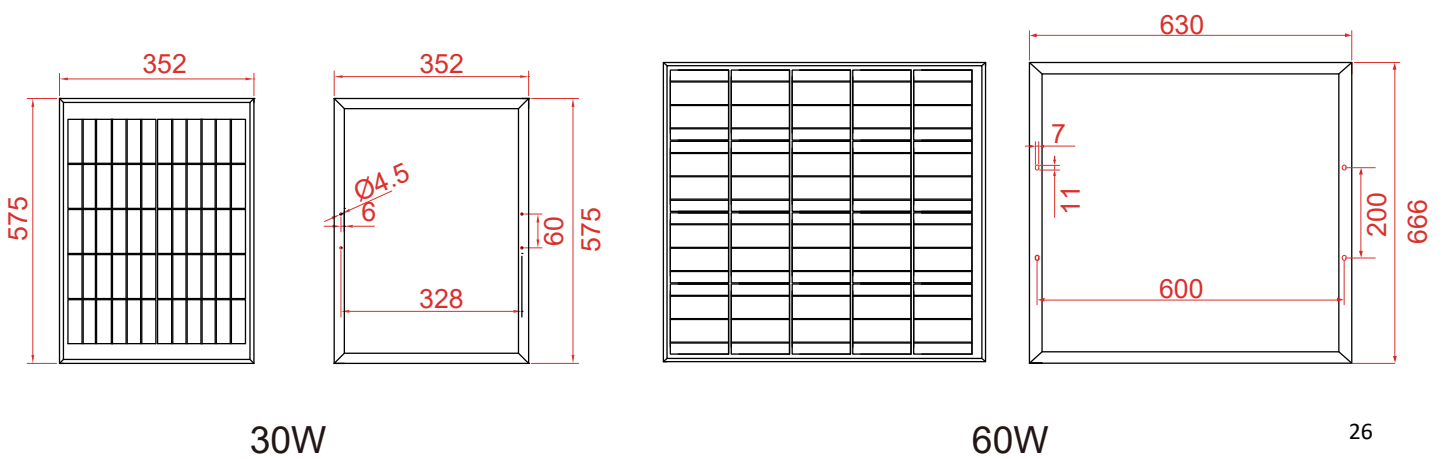
LA-30P



LA-60P



Solar panels



Details Display



Main Specification

Model NO.	LA-30P	LA-60P
Lamp Power	12W	15W
Solar Panel	30W/5V	60W/5V
Lithium Battery	80WH	128WH
LED Quantity	60pcs	
Luminous Flux	1,800lm	2,500lm
Dimension	390*214*63mm	487*214*63mm
CCT	6000-6500K	
CRI	>70Ra	
Charging Time	4-6 hours	
Working Time	5-7days	
Working Temperature	-20°C~60°C	
Lifespan	≥50000hours	
Material	Aluminum alloy	
IP Rating	IP65	
Case Diameter	60mm	
Mounting Height	3-6m	
Mounting Distance	15~20m	

Application



Pathway



Village road



School



Park



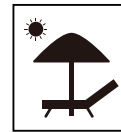
Villa



Parking lots



Temple



Resort

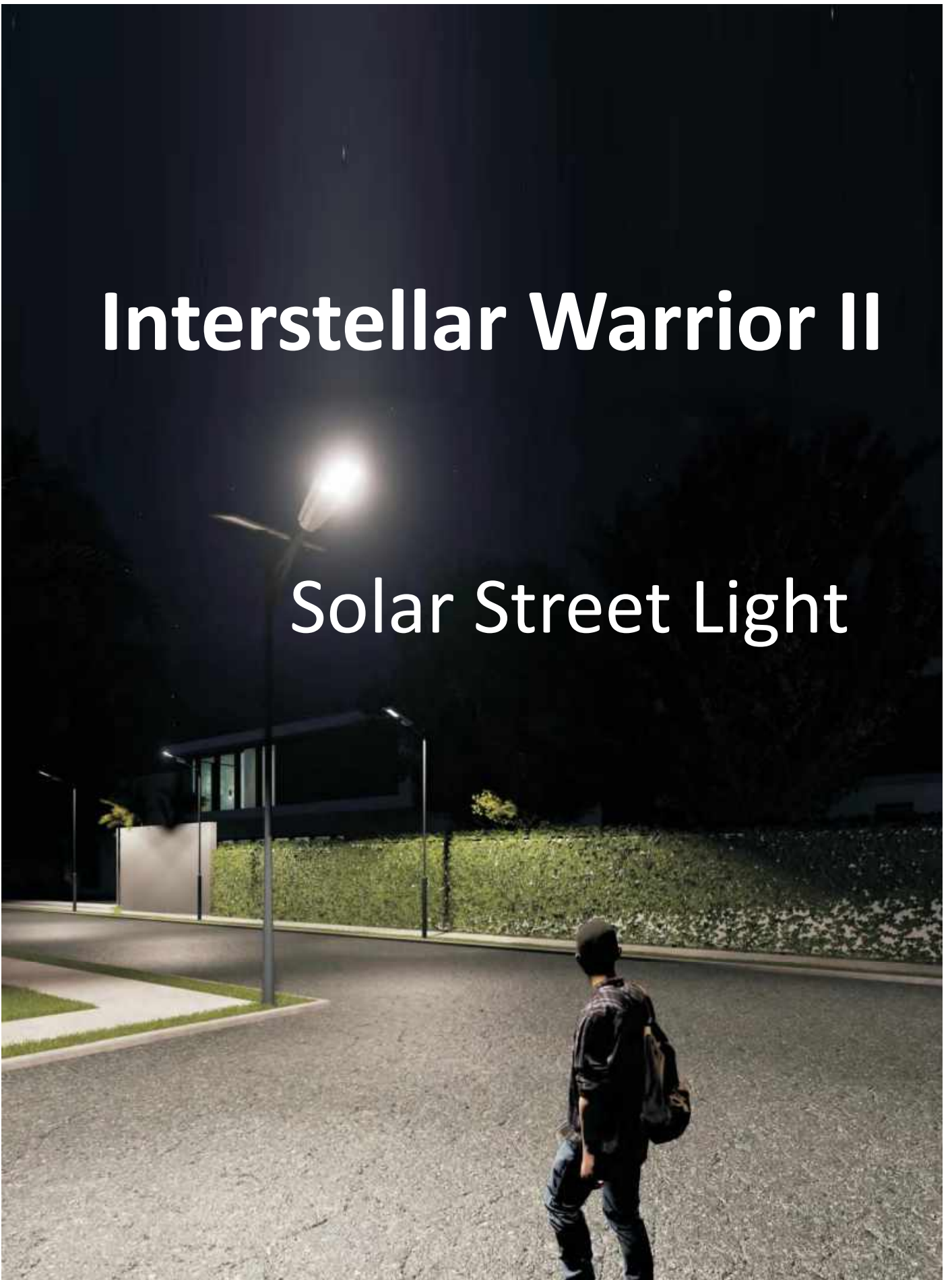


Factory

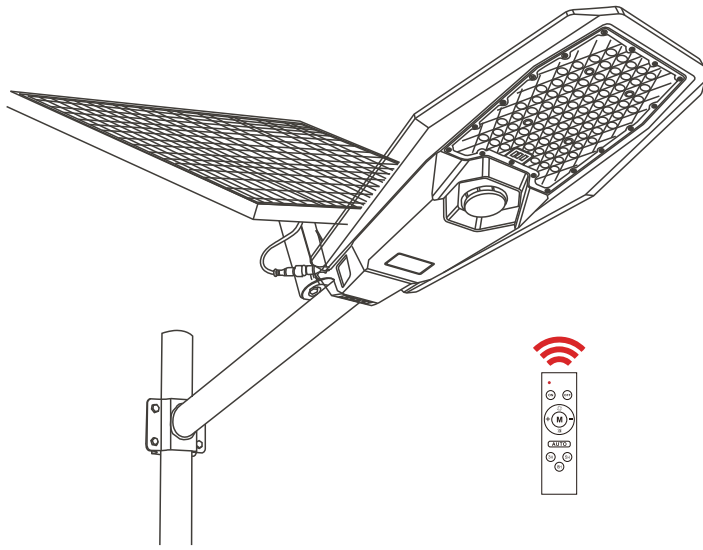


Interstellar Warrior II

Solar Street Light



Main Specification



MJ-XJ901 / MJ-XJ902
100W 200W

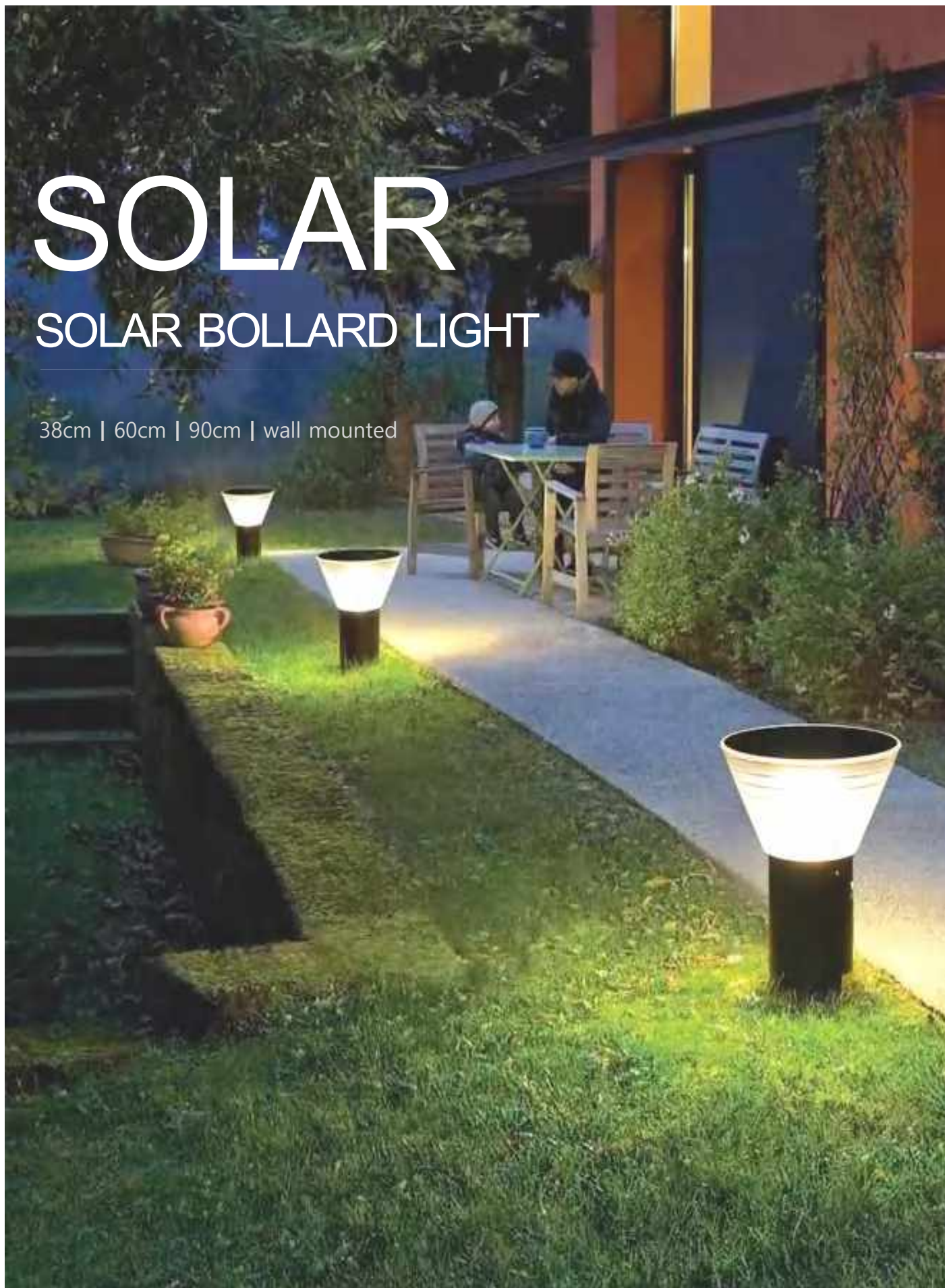
MJ-XJ903 / MJ-XJ904
300W 400W

Model NO.	MJ-XJ801	MJ-XJ802	MJ-XJ803	MJ-XJ804
Lamp Power	10W	15W	20W	25W
Solar Panel	5V/25W	5V/35W	5V/40W	5V/50W
Lithium Battery	80WH	128WH		
LED Quantity	192	192	300	300
Luminous Flux	1150lm	2200lm	2600lm	3000lm
Dimension	520*260*80mm	520*260*80mm	600*300*80mm	600*300*80mm
CCT		6000-6500K		
CRI		>70Ra		
Charging Time		4-6 hours		
Working Time		5-7days		
Working Temperature		-20°C~60°C		
Lifespan		≥50000hours		
Material		Aluminum alloy		
IP Rating		IP65		
Case Diameter		60mm		
Mounting Height		3-6m		
Mounting Distance		15~20m		

SOLAR

SOLAR BOLLARD LIGHT

38cm | 60cm | 90cm | wall mounted



Main Specification



Model Name	ARKO AI-GL260R	ARES AI-GL255R	HADES AI-GL255S
LED Source	1.5 Watts	1.5 Watts	25 Watts
Luminous flux	>220lm	>220lm	>480lm
Solar panel	5V 6.2 Watts	5V 6.2Watts	5V9.2 Watts
Light head size	φ260mm round shape	φ255mm round shape	255*255mm square shape
Height	38/60/90cm/wall mounted		
Optional CCT	CCT changeable /RGBCW by remote		
LifePO4 battery	3.2V 12AH		
Motion sensor	Optional		
Remote control	Available for RGBCW		
Charge & discharge time	5&24 hours		
Fixture color	Black /Grey		
IP&K rate	IP65&IK10	IP65 IK08	IP65 IK08
Working temp	-20°C~+65 °C		
Warranty	Two years		
Certificates	CE ROHS LVD		

Light Color Display



White light



Warm white

Features



Solar panels charge quickly



IP65 waterproof



Intelligent light-control



High brightness



Easy installation



Super capacity battery

Application Scenarios

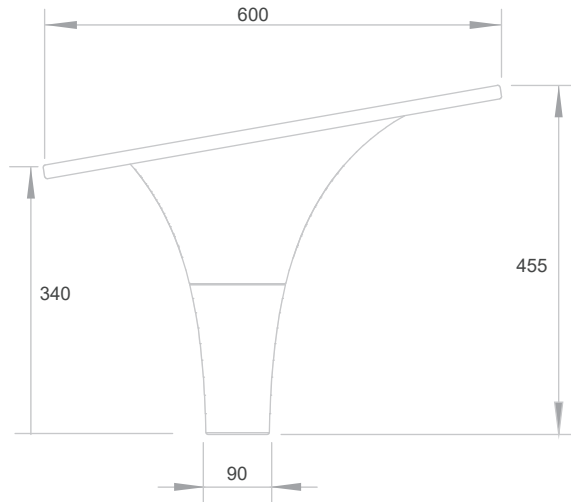


ATHEN

SOLAR LED LIGHT FOR
GARDEN DECORATION



Main Specification



Lighting Performance

Item number	ATHENA AI-GL600R
Luminous flux	2,800lm max
Peak LED power	18W
CRI	>80
LED type	SMD2835164pcs
CCT range	Dual color 3000K+4000K or 3000K+6000K
LED lifetime	>100,000 hours

LifePO4 Battery

Battery type	Brand New LifePO4 32700 6000mA 3.2V
Battery capacity	154WH 12.8V
Battery lifetime	6000cycles @ D.o.D 80%
Charge Time	4 hours
Discharge time	>24 hours
Working temp	-15C~70C
Battery autonomy	2 ~ 3 days, 3 ~5 days in motion detection mode

Solar Panel

Peak Power	38W
Rated Voltage	18V
Cell Type	MONO crystallinesilicion
Cell Efficiency (%)	>22.5%
Lifetime	>20 years
Waranty	5 years

Control System

Control method	Automatic dusk to dawn
Solar charge controller	MPPT controller
Charging efficiency	>97%
Remote type	2.4G
Operation distance	<30 meters
Sensor type	PIR motion sensor
Grouping function	Yes
CCT changeable	Yes
LED power changeable	Yes
Time changeable	Yes
Working mode changeable	Yes

Fixture & Packing

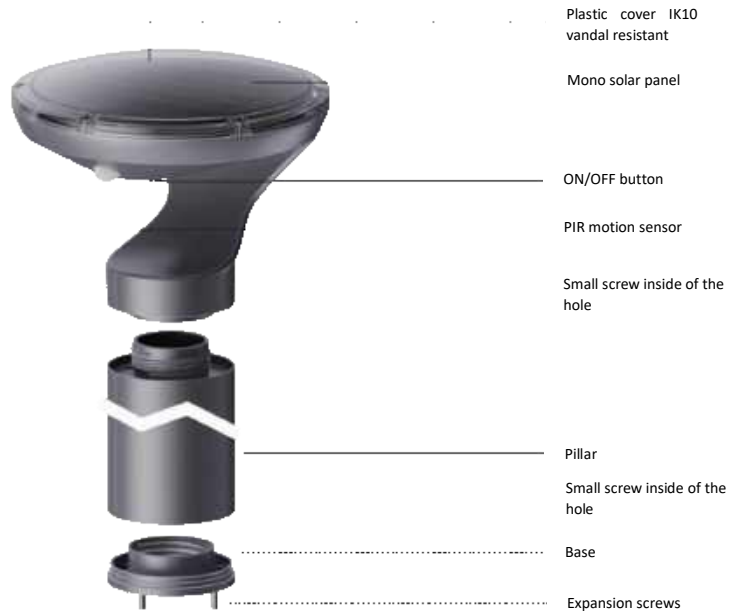
Light dimension	φ600* H455mm
Materials	Aluminium die casting + Tempered Glass
IP & IK Rate	IP65 IK10
Fixture color	Black RAL9011 /Anthracite grey RAL 7016
Pole diameter to fit	76mm
Package size	62 62 26cm
N.W/Light	9.60KG
G.W/Light	11.30KG
Certificates	CE,EMC,LVD,ROHS

MUSE

Solar Bollard Light



Main Specification



Lighting Performance

Item number	MUSEI A-GL275S
Lighting	1.2W 280lm SMD3030 24pcs
Light head diameter	275mm
Fixture material	Aluminium die casting + PC + tempered Glass
Fixture color	Black RAL9011 Anthracite grey RAL 7016
IP & IK rate	IP65 & IK10
CCT range	2200K~6000K
Beam angle	120 degree

LifePO4 Battery

Battery type	Brand New LifePO4 32700 6000mA 3.2V
Battery capacity	38.4WH 3.2V
Battery lifetime	6000cycles @ D.o.D 80%
Charge Time	4.5 hours
Discharge time	>36 hours
Working temp	-15C~70C
Battery autonomy	3 - 4 days with motion sensor

Solar Panel

Peak Power	6.2W
Rated Voltage	5V
Cell Type	MONO crystallinesilicion
Cell Efficiency (%)	>22.5%
Lifetime	>20 years
Waranty	5 years

Control System

Control method	Automatic dusk to dawn
Working mode	4H 100% + 13H 25% with 100% when sensor is triggered
Max PV power	20W
Max load power	5W
Sensor type	PIR motion sensor
System voltage	3.2V
Detection distance	8 meters max
Detection angle	120 degree
Working temp.	-15~70°C

Package

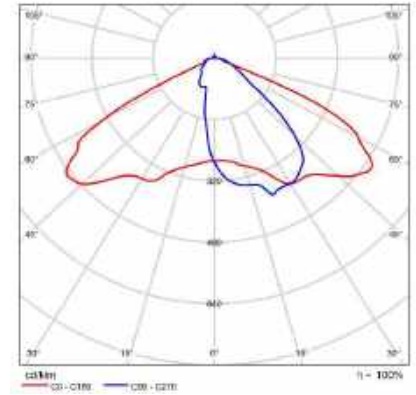
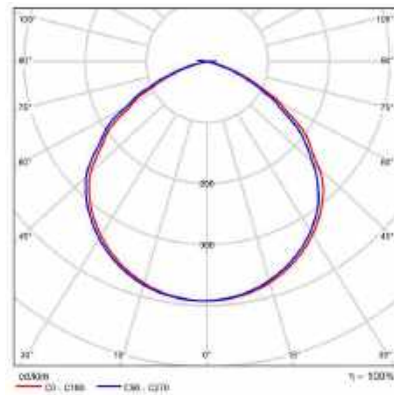
Model number	A-GL275R
Light dimension	φ275* H900mm
Light head package	280*280*220mm
Pillar package	115*115*690mm
N.W / G.W (one set)	5.70KG / 6.40KG
Model number	A-GL275R/W
Light dimension	323*275*195mm
Carton dimension	350*590*430mm
Oty/CTN	4pcs/CTN
N.W /G.W(per CTN)	12.80KG / 14.50KG

THEMIS

SOLAR POST-TOP LIGHT



Main Specification



Lighting Performance

Item number	THEMIS AI-GL590R
Luminous flux	2,800lm max
Peak LED power	18W
CRI	>80
LED type	SMD2835 84pcs
CCT range	2200K+3000K or 3000K+4000K or 3000K+6000K
LED Lifetime	>100,000 Hours

LifePO4 Battery

Battery type	Brand New LifePO4 32700 6000mA 3.2V
Battery capacity	154WH 12.8V
Battery lifetime	6000cycles @ D.o.D 80%
Charge Time	4 hours
Discharge time	>24 hours
Working temp	-15C~70C
Battery autonomy	2 - 3 days with motion sensor

Solar Panel

Peak Power	38W
Rated Voltage	18V
Cell Type	MONO crystallinesilicion
Cell Efficiency (%)	>22.5%
Lifetime	>20 years
Waranty	10 Years

Control System

Control method	Automatic dusk to dawn
Solar charge controller	MPPT controller
Charging efficiency	>97%
Remote type	2.4G
Sensor type	PIR motion sensor
Operation distance	3.2V
Detection distance	30 meters
Detection angle	120 degree
Working temp.	'-15C~70C
LED power changeable	Yes

Package

Light dimension	φ590 * H550mm
Materials	Aluminium die casting + tempered glass
IP & IK Rate	IP65 IK10
Fixture color	Black RAL9011 / Anthracite grey RAL 7016
Pole diameter to fit	76mm
Package size	62*62*25cm
N.W/Light	10.60KG
G.W/Light	13.10KG
Certificates	CE,LVD,EMC,ROHS
Warranty	5 Years

ARTEMIS

Wrap
Solar Street Light



Main Specification



LUMINAIRE			
LED Type &Power	30Watts	60Watts	
Luminous Flux	>4,400lm	>8,800lm	
CCT Range	3000K/4000K/6000K		
Beam Angle	120 degree		
SOLARWRAP PV			
Max Power	140W	280W	
Output Voltage	18V	18V	
Dimention	228*220*1560mm	228*220*1560mm	
Module	1	2	
BATTERY PACK			
Rated Capacity	307WH 12.8V24AH	615WH 12.8V 48AH	
Battery Cell	32700 6000mAH 16pcs	32700 6000mAH 32pcs	
Battery Lifetime	>4000cycles @ D.O.D 50%		
Working Temp	-25°C~+65°C		
MPPT CHARGE CONTROLLER			
Max.load	<60 Watts		
Max Solar Wrap PV	240 Watt 18V		
Programmable	yes		
IP Rate	IP68		
STEEL POLE			
Height&Material	3.5 meters steel	5 meters steel	
Dimension	as drawing shows		

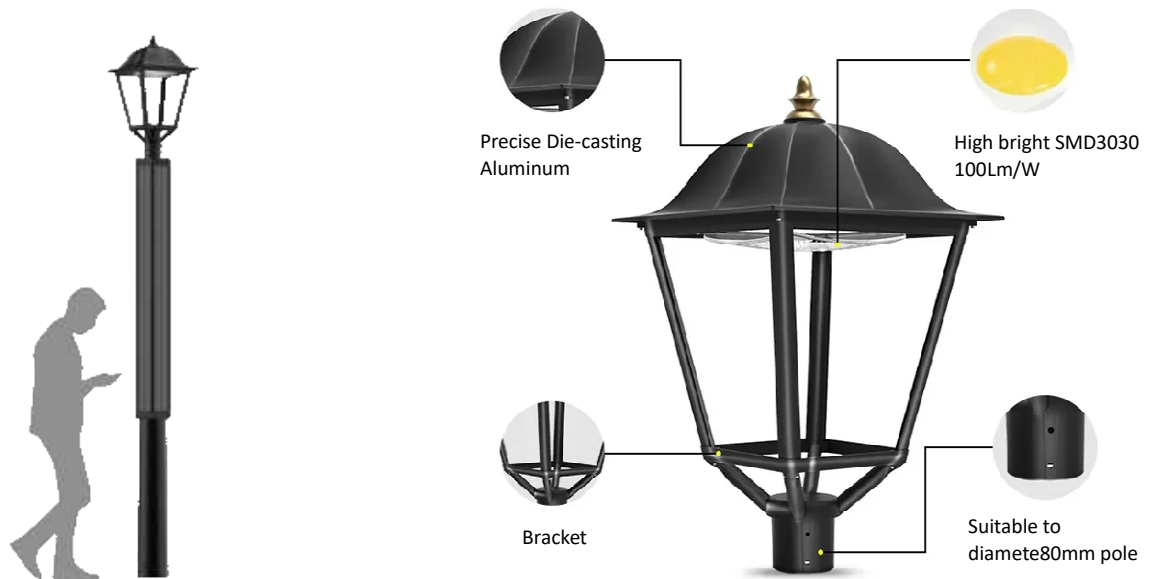
ZEUS

Wrap

Solar Street Light



Main Specification



LUMINAIRE

LED Type &Power	30W max. SMD3030 140nos
Luminous Flux	>4.500lm
CCT Range	3000K/4000K/6000K
Beam Angle	120 degree

SOLARWRAP PV

Max Power	140W
Output Voltage	18V
Dimention	228*220*1560mm
Module	1

BATTERY PACK

Rated Capacity	307WH 12.8V24AH
Battery Cell	32700 6000mAH 16pcs
Battery Lifetime	>4000cycles @ D.O.D 50%
Working Temp	-25°C~+65°C

MPPT CHARGE CONTROLLER

Max.load	<60 Watts
Max SolarWrap PV	240 Watt 18V
Programmable	yes
IP Rate	IP68

STEEL POLE

Height&Material	3meters steel
Dimension	as drawing shows

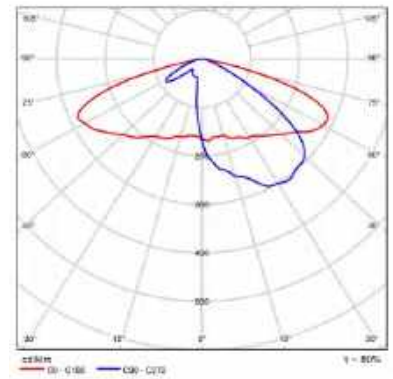
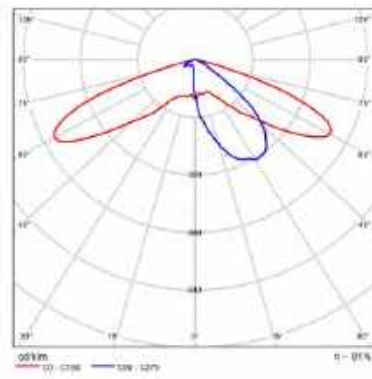
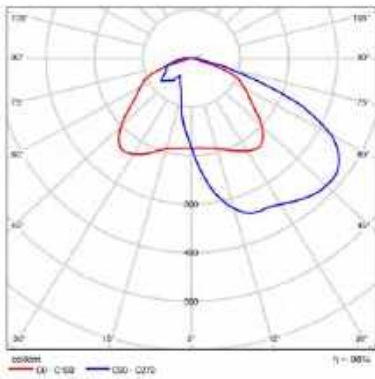


Split

Solar Street Light



Light Distribution



Main Specification

Model NO.	7M50W	8M60W	9M80W	10M100W	12M120W
Lamp Power	50W	60W	80W	100W	120W
Luminous Flux	9,000lm	10,800lm	14,400lm	18,000lm	21,600lm
Pole Height	7 Meters	8 Meters	9 Meters	10 Meters	12 Meters
Solar Panel	100W	120W	150W	200W	250W
Lithium Battery	12.8V50Ah	12.8V60Ah	12.8V80Ah	25.6V50Ah	25.6V60Ah
Controller	MPPT				
Pole Material	Q235 steel, hot dip galvanized and powder coating, rust proof				
Foundation kits	Detachable, Q235 Steel				
CCT	6000-6500K				
CRI	>70Ra				
Charging Time	4-6 hours				
Working Time	5-7days				
Working Temperature	-20°C ~60°C				
Lifespan	≥50000hours				
Material	Aluminum alloy				
IP Rating	IP65				
Case Diameter	60~120mm				
Mounting Distance	20~40m				

Battery installation method is optional

Gel battery installation method



Lithium iron phosphate battery installation method



Application Scenarios



Application Scenarios



Malaysia



Saudi



Nigeria



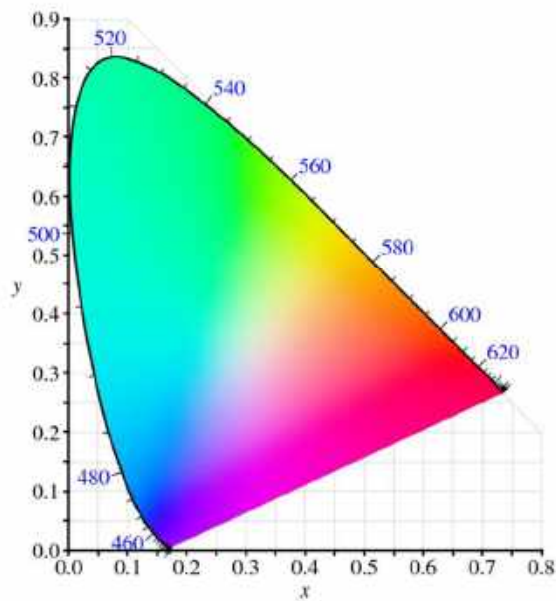
Colombia



Burkina Faso



Chromaticity Coordinate



How to read polar curves

0° to 180° : Light along the road

90° to 270° : Light across

The polar curve can be used to estimate optimal beam for installation.

