

DEVANCE

LED GENERAL LIGHTING CATALOGUE



No. 403 Race Course Road Singapore 218653
Tel: (+65) 6447 3744 | Email: sales@densbe-electric.com
Copyright © 2023 **Densbe Electrical Singapore Pte Ltd.**
All Rights Reserved.

LED Revolution

In today's society we are all conscious of the impact we have on the environment. In order to ensure a sustainable future it is important to make the right decisions by focusing at energy consumption, CO2 emissions and waste. Due to technological advances, lighting using LEDs is now a more environmentally friendly, energy efficient and economically sound option.

Ever since the LED revolution, the lighting sector has experienced various technological developments and challenges. DEVANCE Lighting Decentralize as One Stop Lighting Solution from Technology, Development, Manufacturing, Engineering, Services to End Life and Recyclability.

With innovation as a core driver, product development has become a priority for DEVANCE R&D department. With this we initiated a pilot project to manufacture and develop innovative "LED Generation" lighting solutions to elevate standards such as quality, efficiency, technology and most importantly cost maintenance to move the industry forward and set new benchmarks.

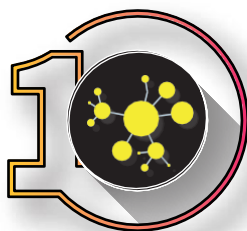
SUSTAINABLE DEVELOPMENT GOALS

Driving Change: The Sustainable Development Goals.

As the world start experiencing pressure from population growth, resource scarcity and climate change. DEVANCE adopted the 2030 Agenda for Sustainable Development at the United Nations General Assembly on 25 September 2015 with 17 Sustainable Development Goals (SDGs) and 169 targets.

Sustainability is in the heart of D-Advance drive to unlock the extraordinary ability of light for a Brighter Future and a Better World. We contribute to the sustainable future through our products, systems and services. Moving towards (SDGs), D-Advance launched 4D – Decarbonization, Decentralization, Digitalization and Decomposition – ambitiously setting D-Advance targets for Agenda 2030.

We're focusing on the areas where we can be most influential. So we're actively working on goals 7, 9, 11, 12, and 13.



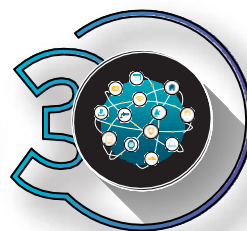
Decentralization

R&D Technology, Development, Manufacturing Engineering, Testing, Certification, Spare parts, Services, Recyclable



Decarbonization

CO2 Reduction & Energy Saving By Using Renewable Energy Through Solar Lighting & LED Lighting System



Digitalization

IOT and Communication. For Easy Detection, Maintenance, Data & Asset Management



Decomposition

End Of Product Life Cycle And Disposal Of E-Waste Management

Benefits

Reduction In Energy & Maintenance Bill- No Running Cost

With a lamp life of approximately 50,000hrs. LED Products can last for many more years compared to current products without the need for replacement and additional maintenance cost.



Application:

- Lighting of streets
- Highway and motorways
- Markets
- Squares
- Car parks
- Bus stops
- Rural roads
- Roundabouts
- Crossings
- Footpaths
- Camp sites
- Beaches
- Service stations

Renewable Energy

Solar power LED lighting replacement consumes renewable energy requirement compared to current products without compromising acceptable lighting level. Inevitably, it saves 100% of energy bill cost.



Generate Incomes

Initial cost of implementation may be high for Solar LED. But with high durability and cost efficiency, Solar LED replacement is a long-term investment. In many cases, it is possible to see returns in just three years.



Sustainable Development

Many countries are beginning to embrace solar power as a solution to issues they face as they sustain and develop the economic growth, health, education, food security and climate change.



Features:

- No utility line extensions
- No utility bills
- Fast and simple installation
- Location flexible
- Maintenance-free
- Automatic operation
- High reliability
- Long lifetime
- Warranty
- Maintenance
- Recyclable
- E-waste Management

Smart Intelligent System

The Solar LED luminaire can be integrated with the remote control system to operate either in stand-alone mode, autonomous network or an inter-operable network. Dimming scenarios and light on demand features including sensors can adapt the lighting to real needs of the place and the time to ensure safety and well-being in the most sustainable way.



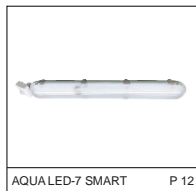
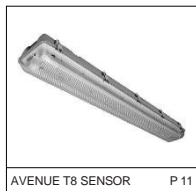
Save the environment - No Kerosene Or Fumes

Solar powered LED lights usage create 91% less CO² pollution than natural gas and 96% less CO² than coal.



Contents

GREEN/SUSTAINABILITY LIGHTING



Contents

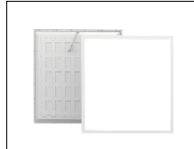
LED SERIES



VETO-R P 16



VETO-S P 17



ZENITH/LED P 18



VETO-DL P 19



VETO-V P 20



VETO-PRO/R P 21



VETO-PRO/S P 22



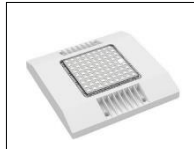
VETO-IP P 23



COMET P 24



ICON P 25



ICON LOWBAY P 26



TRIPOD P 27



SPOT II P 28



DELTA / E P 29



DELTA P 30



UNIVERSAL P 31



ROYAL P 32



UNIBOX P 34



ARENA P 36



ALFA P 38



NEPTUNE T8 P 39



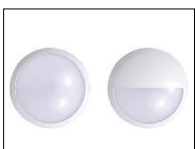
AVENUE T8 P 40



AQUA LED-7 P 41



RAMBO P 42



ORIS-K/R P 43



ORIS-K/S P 44



ORION-R P 45



ORION-S P 46



XEON P 47



XEON II P 48



XEON-W P 49



XEON MINI P 50



CAPRI LED P 51



MAXIM P 52



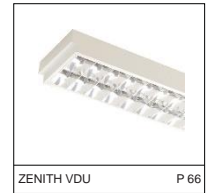
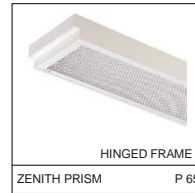
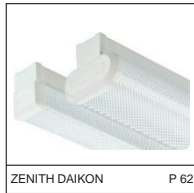
BLAZE P 53



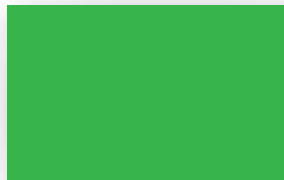
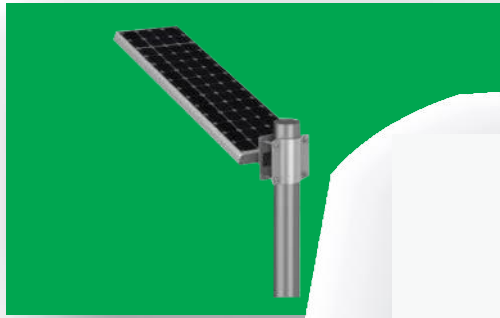
LED SPIKE P 54

Contents

LED SERIES



GREEN/SUSTAINABILITY LIGHTING



• The drive for energy savings and smart lighting has ushered in a new generation of LED lighting solutions that offer solar powered lightings, multifunction sensors and lighting control capabilities of various complexity.

• Offering the optimized amount lighting on where and when it is required has become an indispensable requirement from more stakeholders. Data collection for analytical purposes to influence operation decisions has also become more prevalent thanks to the availability of modern technologies.

• From independent sensing lightings to full Internet Of Things (IOT) remote control and monitoring solution, DEVANCE is able to offer a suite of product offerings that meet different levels of expectation and budget.

• Refer to our basic smart lighting offering for office spaces, factories, carparks and common walkways or stairways. For more complex solutions such as IOT remote control and monitoring solution, reach out to us for further details.

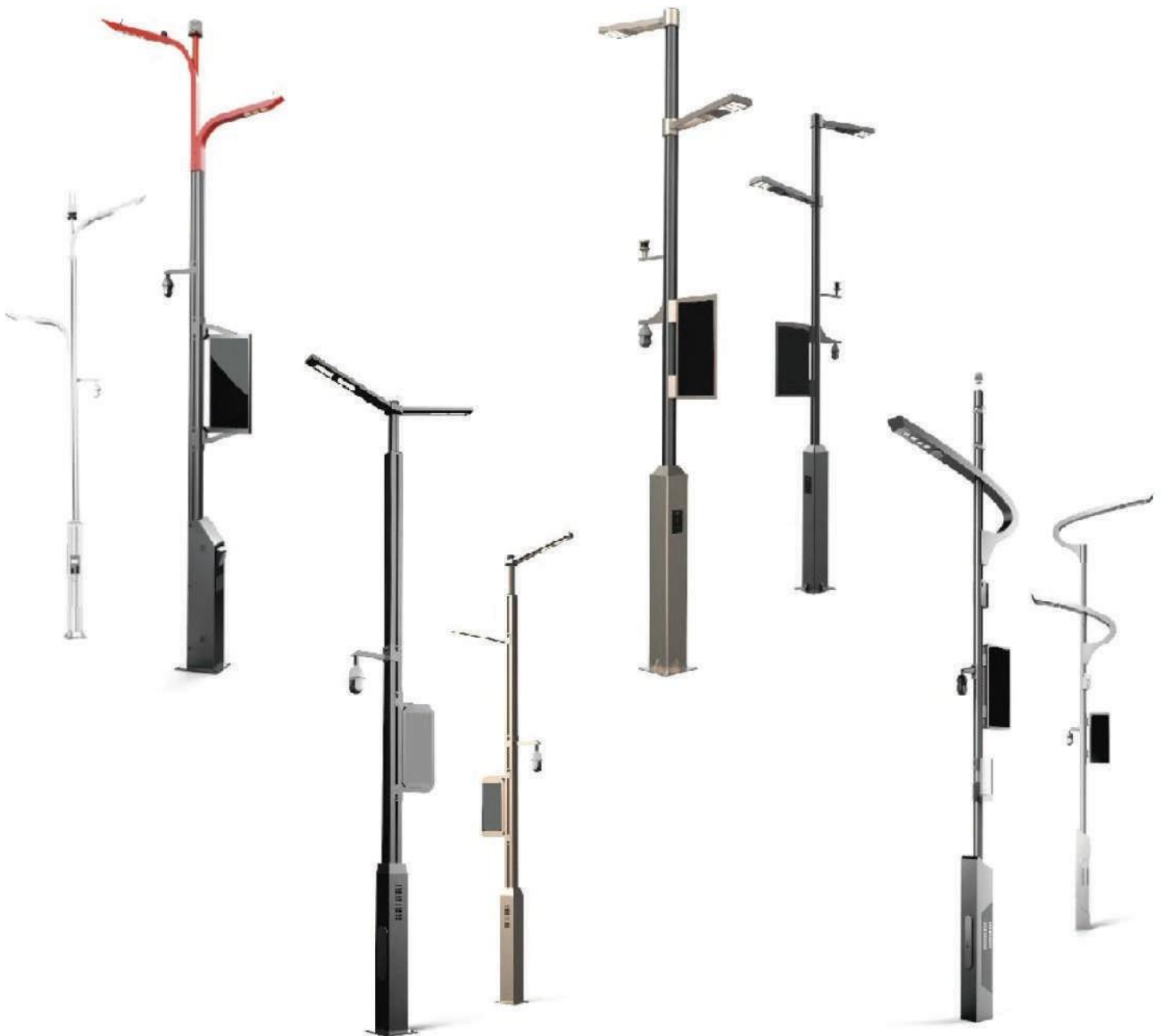
SMART POLE

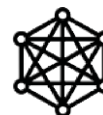
Provision for Smart Lighting Poles has been one of the hallmark elements in smart city designs. At DEVANCE, we specialize in customizing aluminum poles to meet the functionality expectation and aesthetic expression of smart cities.

Each pole can be designed to incorporate the required smart accessories of different shapes and sizes while ensuring structural integrity. Our unique pole and bracket design allows hassle free lateral installation of accessories onto the pole and offers full flexibility for future additions that are unforeseeable at your present time of need.

With our experience in several deployments in various countries and cities, we are confident to realize the Smart Lighting Poles that you envisioned for your project.

Please reach out to us for further information on Smart Lighting Poles.





REMOTE iSOLAR SOLAR LED STREET LIGHT

SYSTEM DATA

- Solar panel : Monocrystalline
- Colors : Grey. Other RAL colors on request
- Day of autonomy : > 2 Days (Raining Days)
- Pole height : 6-12m base on requirement
- Charging time : 6 Hours
- Discharge time : >12 Hours / Night
- Discharge time : 5-7m Radius, $\Theta=180^\circ$

FIXTURES

- Finishing : Grey. Other RAL colors on request
- Material : High pressure die-cast aluminum
- Light Distribution : Type II, Type III, Type IV
- Color Temperature (CCT) : 3000K-6000K
- Efficacy range : 120~150Lm/W
- Color rendering (CRI) : ≥ 70
- Mounting : Pole installation

CONTROLLER

- Standard Mode : 12 Hours (4Hours 100%, 2 Hours 60%, 6Hours 40%)
(Customization available upon request)

OPTIONAL

- Upon Request : Full power, sensor & preset dimming itouch remote monitoring system



Universal Application

Solar Remote can be used in any type of poles and applications



Self - Cleaning inano

Inano Technology self-cleaning to repel dust dirt, air borne pollution insects, smog, haze & etc



Solar Street Light
IOT & Cloud Computing
Platform



Lighting Monitoring
Center Database



Model No.	Wattage(W)	LiFePo4 Battery	Solar PV (Mono)	Battery Size	Panel Size	Weight(KG)
ALFA03040	30W	12.8V 570WH	18V 100W	300*169*90mm	870*670*30mm	10.6
ALFA06040	60W	12.8V 1140WH	18V 200W	520*169*90mm	1470*670*35mm	20
ALFA09040	90W	25.6V 1710WH	36V 300W	720*169*90mm	1510*990*35mm	34.6
ALFA12040	120W	25.6V 2280WH	36V 380W	320*250*180mm	1950*990*35mm	43
ALFA15040	150W	25.6V 2880WH	36V 2*240W	330*250*180mm	2*1330*990*35mm	54.2
ALFA18040	180W	25.6V 3420WH	36V 2*300W	440*220*200mm	2*1510*990*35mm	65



INTEGRATED SOLARE II

SOLAR LED STREET LIGHT

SYSTEM DATA

- Solar panel : Monocrystalline
- Colors : Grey. Other RAL colors on request
- Day of autonomy : > 2 Days (Raining Days)
- Pole height : 6-12m base on requirement
- Charging time : 6 Hours
- Discharge time : >12 Hours / Night
- Sensor detection range : 5~7m Radius, $\Theta=180^\circ$

FIXTURES

- Finishing : Grey. Other RAL colors on request
- Material : Aluminium alloy
- Light Distribution : Type II, Type III, Type IV
- Color Temperature (CCT) : 3000K-6000K
- Efficacy range : 120~150 Lm/W
- Color rendering (CRI) : ≥ 70
- Mounting : Pole installation

CONTROLLER

- Standard Mode : Sensor 100%. 30% mode when there is no detection of movement (Customization available upon request)

OPTIONAL

- Upon Request : Full power, sensor & preset dimming touch remote monitoring system

All In One Street Lighting

All in One' solar lighting system that has been designed to offer extremely cost effective illumination for a wide range of small to medium sized applications



The unique bracket is strong enough to withstand a 12 class of typhoon



Typhoon Resistance

The unique bracket is strong enough to withstand 12 class typhoon.



Self Cleaning

Inano Technology's **inano** coating to repel dust dirt, air borne pollution insects, smog, haze & etc

itouch™



Model No.	Wattage(W)	LiFePo4 Battery	Solar PV (Mono)	Housing Dimension
SOL02060	20W	154Wh (12.8V 12Ah)	18V 50W	1120*300*140mm
SOL03060	30W	230Wh (12.8V 18Ah)	18V 60W	1040*360*140mm
SOL04060	40W	307Wh (12.8V 24Ah)	18V 70W	1120*360*145mm
SOL06060	60W	460Wh (12.8V 36Ah)	18V 80W	1000*530*270mm
SOL08060	80W	614Wh (12.8V 48Ah)	18V 100W	1310*430*270mm
SOL10060	100W	768Wh (25.6V 30Ah)	36V 130W	1310*530*320mm
SOL12060	120W	922Wh (25.6V 36Ah)	36V 145W	1500*530*320mm
SOL15060	150W	1075Wh (25.6V 42Ah)	36V 170W	1640*530*320mm





AVENUE T8 SENSOR

LED WEATHERPROOF

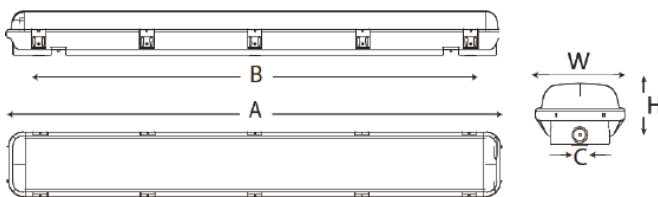
FEATURES

- Durable and lightweight
- Injection mold polycarbonate body and diffuser
- Easy locking stainless steel clips
- Pleasant appearance and reduce direct glare
- Excellent light distribution
- Operating temperature (Ta) -25°C ~ 40°C
- Standard grey color
- ON/OFF standby 50%
- 150° Detecting Angle
- Max. Mounting Height 1-5m

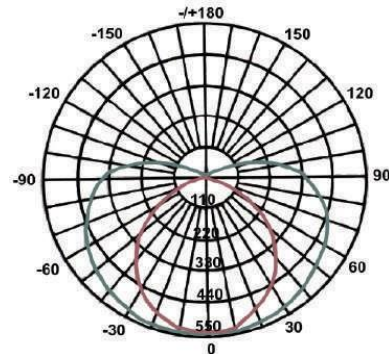
CHARACTERISTICS

- Wattage : 1x10W / 1x18W / 2x10W / 2x18W
- Input Voltage : AC90V~264V 50Hz/60Hz
- Light Efficacy : ≥100 Lm/W
- Power Factor : > 0.90
- Color Temperature CCT : 3000K ~ 6000K
- Light Source : LED @ 25,000hrs
- IP Rating : IP65

DIMENSION (mm)



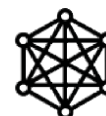
PHOTOMETRIC CURVE



Model No.	Description	A(mm)	B(mm)	C(mm)	W(mm)	H(mm)
AVE00094	AVENUE T8 LED WP Fitting 1x10W c/w iLED Sensor Tube	660	530	45	90	90
AVE00095	AVENUE T8 LED WP Fitting 2x10W c/w iLED Sensor Tube	1260	1140	45	90	90
AVE00092	AVENUE T8 LED WP Fitting 1x18W c/w iLED Sensor Tube	660	530	95	135	95



Product Tested



AQUA LED-7 SMART

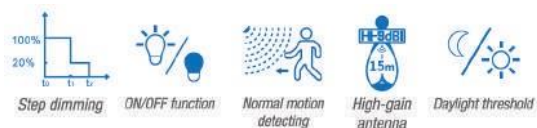
LED WEATHERPROOF BATTEN

FEATURES

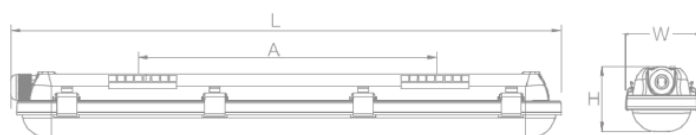
- Durable and lightweight
- Injection mold polycarbonate body and diffuser
- Easy looking stainless steel clips
- Pleasant appearance and reduce direct glare
- Excellent light distribution
- Operating temperature (Ta) -25°C ~ 40°C
- With 0-10V Dimming Driver

CHARACTERISTICS

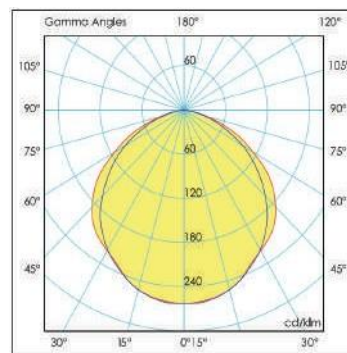
- Wattage : 9W ~ 70W
- Input Voltage : 220~240V 50/60Hz
- Light Efficacy : ≥ 120 Lm/W
- Power Factor : > 0.80
- Color Temperature CCT : 4000K ~ 6000K
- Light Source : LED @ 50,000hrs
- Power Source : Integrated
- IP Rating : IP66
- IK Rating : IK08



DIMENSION (mm)



PHOTOMETRIC CURVE



Model	Description	Lumen	Length(mm)	Width(mm)	Height(mm)	Install Size(A)
AQUA7D0960	AQUA LED-7 9W	1080lm	600	79	68	340mm
AQUA7D1860	AQUA LED-7 18W	2160lm	600	79	68	340mm
AQUA7D2060	AQUA LED-7 20W	2400lm	1200	79	68	820mm
AQUA7D3660	AQUA LED-7 36W	4320lm	1200	79	68	820mm
AQUA7D2560	AQUA LED-7 25W	3000lm	1500	79	68	1120mm
AQUA7D5060	AQUA LED-7 50W	6000lm	1500	79	68	1120mm
AQUA7D3460	AQUA LED-7 34W	4080lm	1800	79	68	1420mm
AQUA7D7060	AQUA LED-7 70W	8400lm	1800	79	68	1420mm





COMET SMART

LED Highbay with Sensor / Mesh Control

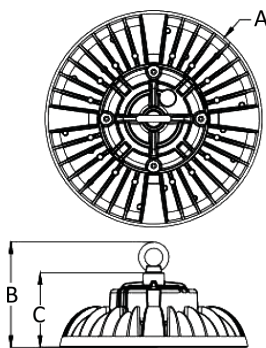
FEATURES

- High pressure die-cast aluminum alloy housing
- Corrosion resistant
- Finished with polyester powder paint
- Standard colour black
- Clear acrylic protector
- Integral control gear mounted on the housing for easy maintenance
- Operating temperature (Ta) - 10°C ~ 40°C
- 3 seconds easy plug-in scalability
- Plug & Play operation to meet code and simplify installation
- Zigbee add-on, provide mesh network smart lighting control
- Smart wireless controller & occupancy sensor

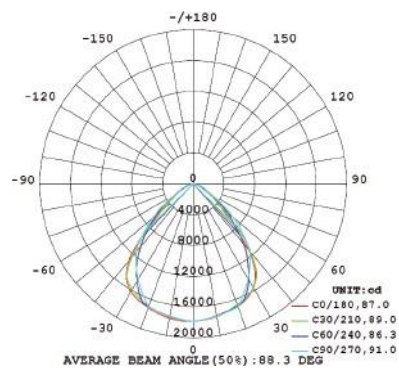
CHARACTERISTICS

- Wattage : 60W ~ 240W
- Input Voltage : 100~277V 50/60Hz
- Light Efficacy : ≥130 Lm/W
- Power Factor : >0.95
- Colour Rendering Index (CRI) : ≥70
- Color Temperature CCT : 3000K ~ 6000K
- Light Source : LED @ 50,000hrs
- IP Rating : IP65
- IK Rating : IK08

DIMENSION (mm)



PHOTOMETRIC CURVE



Model No.	Description	A(mm)	B(mm)	C(mm)
COM06060	COMET LED Highbay 60W	Ø220	145.8	103.3
COM10060	COMET LED Highbay 100W	Ø220	145.8	103.3
COM12060	COMET LED Highbay 120W	Ø260	145.8	103.3
COM15060	COMET LED Highbay 150W	Ø260	145.8	103.3
COM20060	COMET LED Highbay 200W	Ø300	145.8	103.3
COM24060	COMET LED Highbay 240W	Ø300	145.8	103.3





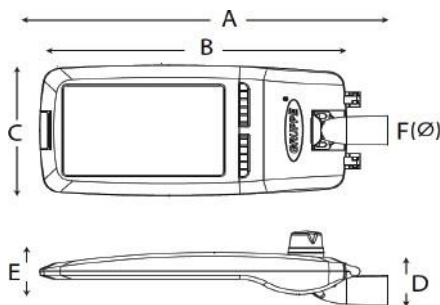
ALFA SENSOR

LED STREETLIGHT

FEATURES

- High pressure die-cast aluminum alloy housing
- Corrosion resistant
- Finished with polyester powder paint
- Standard colour grey
- Easy access from the top for maintenance
- Easy replacement of the entire LED Module and Electronic System by removing the top cover
- Replaceable electronic unit in gear tray "plug & play"
- Adjustable mounting spigot for tilting and mounting flexibility on pole top or side entry
- Anti-aging silicone rubber gasket
- Clear tempered glass protector
- Clip on closure
- Operating Temperature (Ta) -25°C~50°C
- Microwave smart controller

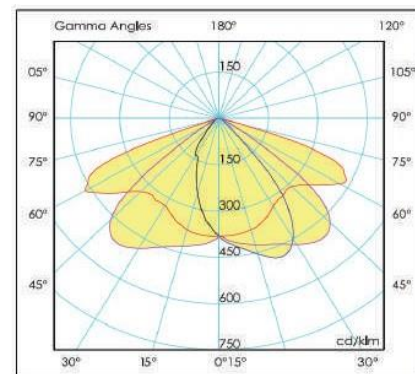
DIMENSION (mm)



CHARACTERISTICS

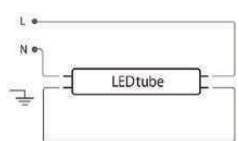
- Wattage : 30W ~ 240W
- Input Voltage : 100V~277V 50/60Hz
- Light Efficacy : 120 ~135 Lm/W
- Power Factor : >0.9
- Color Rendering Index (CRI) : ≥70
- Color Temperature CCT : 3000K ~ 6000K
- Light Source : LED @ 50,000hrs
- Power Source : Meanwell
- IP Rating : IP66
- IK Rating : IK09

PHOTOMETRIC CURVE



Model No.	Description	A(mm)	B(mm)	C(mm)	D(mm)	E(mm)	ØF(mm)
ALF03040	ALFA LED Streetlight 30W	445	350	230	121	85	60
ALF06040	ALFA LED Streetlight 60W	495	400	230	121	85	60
ALF09040	ALFA LED Streetlight 90W	670	570	280	138	110	60
ALF12040	ALFA LED Streetlight 120W	720	620	290	138	110	60
ALF15040	ALFA LED Streetlight 150W	720	620	290	138	110	60
ALF18040	ALFA LED Streetlight 180W	830	730	345	138	110	60
ALF20040	ALFA LED Streetlight 200W	830	730	345	138	110	60
ALF24040	ALFA LED Streetlight 240W	830	730	345	138	110	60





iLED TUBE SENSOR

T8 LED MICROWAVE SENSOR TUBE

FEATURES

- Gruppe iLED microwave sensor T8 LED tube helps you to maximize your energy savings and at the same time ensures safety and comfort in your general spaces.
- After 2 minutes of no detection switch off completely
- After 2 minutes of no detection dim down 50%
- Effective microwave sensor range is 5m.
- Compatible use with Emergency Battery Pack
- Direct Retrofit with magnetic ballast without re-wiring

DIMENSION (mm)



MODEL NO.	iLED0065	iLED0066	iLED0022	iLED0021
Technical Data	T8-60 DIM DOWN 50%	T8-120 DIM DOWN 50%	T8-60 On-Off	T8-120 On-Off
Lamp Base	G13	G13	G13	G13
Power	10W	18W	10W	18W
Luminous Flux	1000lm	1800lm	1000lm	1800lm
Efficacy	100lm/W	100lm/W	100lm/W	100lm/W
Beam Angle	190°	190°	190°	190°
Input Voltage &	100-250V	100-250V	100-250V	100-250V
Frequency	50-60Hz	50-60Hz	50-60Hz	50-60Hz
Ambient Temperature	-15°C ~ 45°C	-15°C ~ 45°C	-15°C ~ 45°C	-15°C ~ 45°C
Colour Rendering Index	Ra≥80	Ra≥80	Ra≥80	Ra≥80
Microwave	Sensor dim down 50%	Sensor dim down 50%	Sensor switch off	Sensor switch off
Restrike	<0.5s = 100% Light output	<0.5s = 100% Light output	<0.5s = 100% Light output	<0.5s = 100% Light output
Dimming	Yes	Yes	No	No
LED Chip - SMD	50,000hrs L70/B50	50,000hrs L70/B50	50,000hrs L70/B50	50,000hrs L70/B50
Switching Cycle	>15000	>15000	>15000	>15000
Dimension	∅29.8mm x 600mm	∅29.8mm x 1200mm	∅29.8mm x 600mm	∅29.8mm x 1200mm
Single Box	35mm x 35mm x 615mm	35mm x 35mm x 615mm	35mm x 35mm x 615mm	35mm x 35mm x 615mm
Carton	190 x 190 x 630mm (20 pcs)	190 x 190 x 1245mm (20 pcs)	190 x 190 x 630mm (20 pcs)	190 x 190 x 1245mm (20 pcs)





Product Tested



Microwave / Motion Sensor
Available upon request

VETO-R

LED ROUND DOWNLIGHT

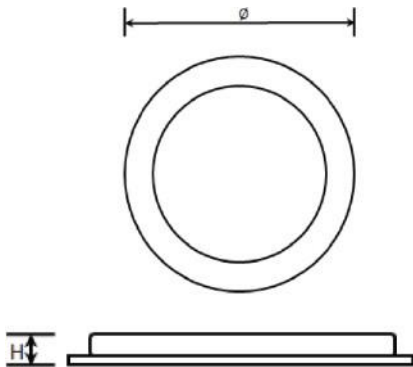
FEATURES

- Easy recess installation.
- Anti glare frosted diffuser.
- 50% more efficient than CFL Downlights.
- Ideal for commercial usage with minimum maintenance.
- Selectable CCT
- Sensor Compatible
- On/off sensor available upon request

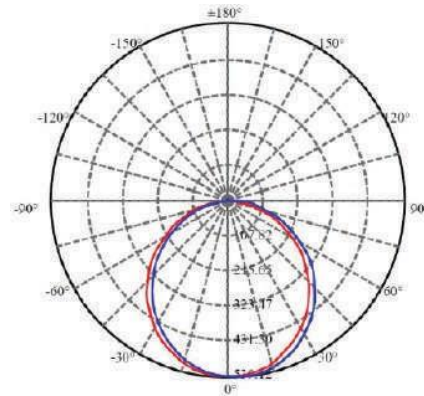
CHARACTERISTICS

- Wattage : 9W ~ 24W
- Input Voltage : 170-240VAC 50/60Hz
- Light Efficacy : ≥ 100 Lm/W
- Power Factor : 0.5
- Color Rendering Index (CRI) : > 80
- Beam Angle : 120°
- Selectable CCT : 3000K / 4000K / 6000K
- Light Source : LED @ 50,000hrs
- Power Source : DOB (Driver On Board)
- IP Rating : IP20

DIMENSION (mm)



PHOTOMETRIC CURVE



Model No.	Description	Diameter(mm)	Height(mm)	Cutout Size(mm)
VETR09CCT	VETO-R LED Round Downlight 9W	Ø120	26	100-115
VETR12CCT	VETO-R LED Round Downlight 12W	Ø145	26	120-140
VETR18CCT	VETO-R LED Round Downlight 18W	Ø170	26	150-165
VETR24CCT	VETO-R LED Round Downlight 24W	Ø225	26	205-220



DEVANCE



Product Tested

Microwave / Motion Sensor
Available upon request

VETO-S

LED SQUARE DOWNLIGHT

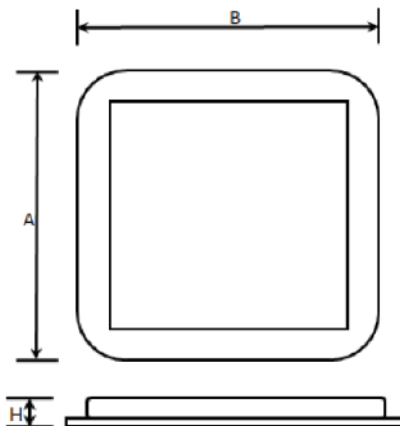
FEATURES

- Easy recess installation.
- Anti glare frosted diffuser.
- 50% more efficient than CFL Downlights.
- Ideal for commercial usage with minimum maintenance.
- Selectable CCT
- Sensor Compatible
- On/off sensor available upon request

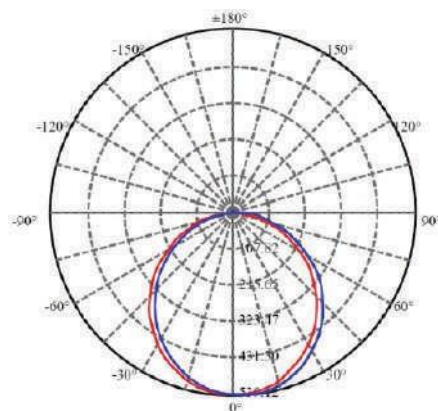
CHARACTERISTICS

- Wattage : 9W / 12W / 18W
- Input Voltage : 170-240VAC 50/60Hz
- Light Efficacy : ≥ 100 Lm/W
- Power Factor : 0.5
- Color Rendering Index (CRI) : > 80
- Beam Angle : 120°
- Selectable CCT : 3000K / 4000K / 6000K
- Light Source : LED @ 50,000hrs
- Power Source : DOB (Driver On Board)
- IP Rating : IP20

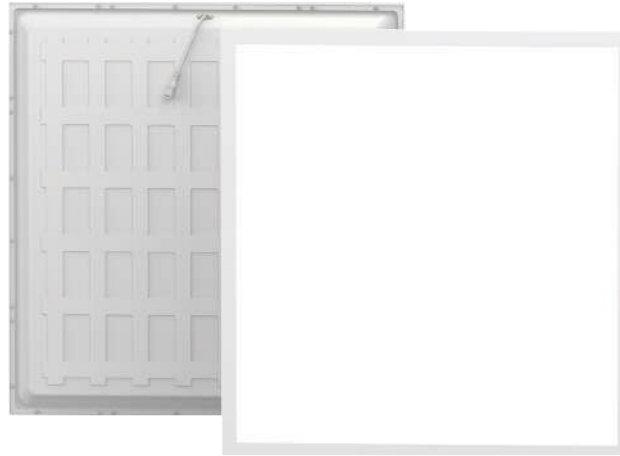
DIMENSION (mm)



PHOTOMETRIC CURVE



Model No.	Description	A(mm)	B(mm)	H(mm)	Cutout Size(mm)
VETS09CCT	VETO-S LED Square Downlight 9W	120	120	26	100-115
VETS12CCT	VETO-S LED Square Downlight 12W	145	145	26	125-140
VETS18CCT	VETO-S LED Square Downlight 18W	170	170	26	150-165



Microwave / Motion Sensor
Available upon request

ZENITH/LED

BACKLIGHT LED CEILING PANEL

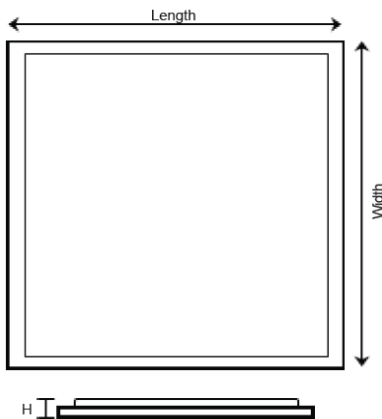
FEATURES

- Easy recess installation
- Anti glare frosted diffuser
- High quality Diffuser
- Good uniformity
- Ideal for commercial usage with minimum maintenance
- Available in multi CCT
- Microwave / Motion Sensor available upon request

Optional Accessories:

- Surface mounting bracket
- Pendant mounting kits
- Dimmable driver

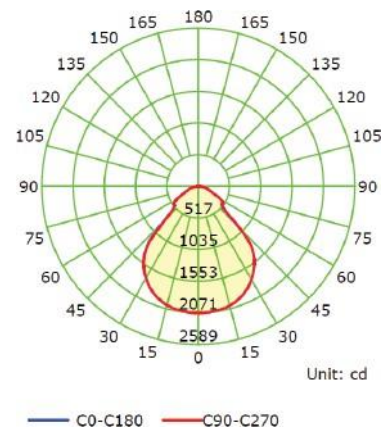
DIMENSION (mm)



CHARACTERISTICS

- Wattage : 20W / 36W / 60W
- Input Voltage : 220-240VAC 50/60Hz
- Light Efficacy : ≥ 120 Lm/W
- Power Factor : 0.9
- Color Rendering Index(CRI) : >80
- UGR : ≤ 22
- Color Temperature CCT : 3000K/4000K/5000K
- Light Source : LED @ 50,000hrs
- Power Source : Remote Constant Current Driver
- IP Rating : IP20

PHOTOMETRIC CURVE

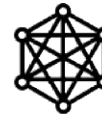


Model No.	Description	Length(mm)	Width(mm)	Height(mm)
Z122040/22	ZENITH LED Ceiling Panel 20W 4000K	595	295	30
Z223640/22	ZENITH LED Ceiling Panel 36W 4000K	595	595	30
Z143640/22	ZENITH LED Ceiling Panel 36W 4000K	1195	295	30
Z244040/22	ZENITH LED Ceiling Panel 40W 4000K	1195	595	30
Z246040/22	ZENITH LED Ceiling Panel 60W 4000K	1195	595	30





Microwave / Motion Sensor
Available upon request



VETO-DL

LED RECESSED DOWNLIGHT

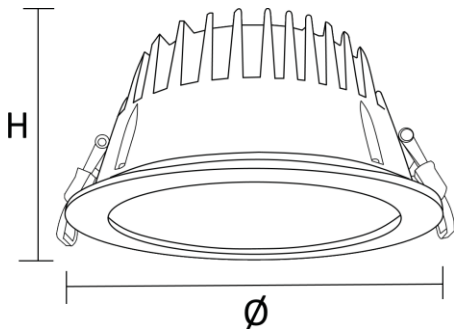
FEATURES

- Die-casting aluminum radiator with higher heat dissipation efficiency
- Honeycomb Mesh, effectively prevent excess astigmatism
- Deep reflector cup, providing anti-glare performance
- Metal buckle design, strong elastic, easy to install, safer to use
- Operating Temperature -15°C ~ +45°C
- Available in multi CCT
- Dimming Functions & Microwave / Motion Sensor available upon request

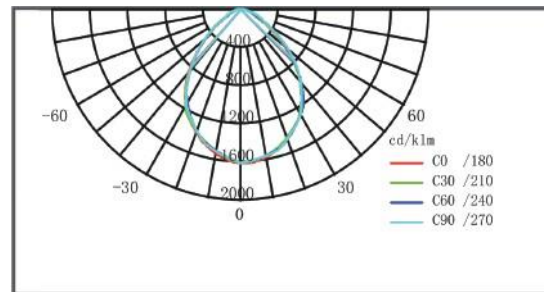
CHARACTERISTICS

- Wattage : 7W ~ 40W
- Input Voltage : AC220-240V 50/60Hz
- Light Efficacy : ≥100 Lm/W
- Power Factor : 0.9
- Color Rendering Index (CRI) : >80
- UGR : <16
- Color Temperature CCT : 3000K / 4000K / 5000K
- Beam Angle : 90°
- Light Source : LED @ 50,000hrs
- Power Source : Remote Constant Current Driver
- IP Rating : IP20

DIMENSION (mm)



PHOTOMETRIC CURVE



Model No.	Description	Diameter(mm)	Height(mm)	Cutout (mm)
VETDL0740	VETO-DL 7W LED Recessed Downlight 4000K	Ø90	45	Ø75
VETDL1040	VETO-DL 10W LED Recessed Downlight 4000K	Ø110	65	Ø95
VETDL1540	VETO-DL 15W LED Recessed Downlight 4000K	Ø130	68	Ø105
VETDL2040	VETO-DL 20W LED Recessed Downlight 4000K	Ø165	90	Ø140
VETDL3040	VETO-DL 30W LED Recessed Downlight 4000K	Ø190	65	Ø165
VETDL4040	VETO-DL 40W LED Recessed Downlight 4000K	Ø225	105	Ø200





Microwave / Motion Sensor
Available upon request



VETO-V

LED RECESSED DOWNLIGHT

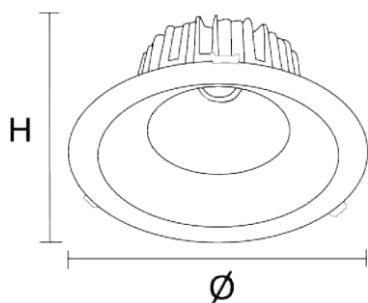
FEATURES

- High quality aluminum material with excellent thermal performance
- PC reflector
- High lighting efficacy, visual comfort, and product diversification
- Operating Temperature -25°C ~ +55°C
- Available in multi CCT
- Dimming Function & Microwave / Motion Sensor available upon request

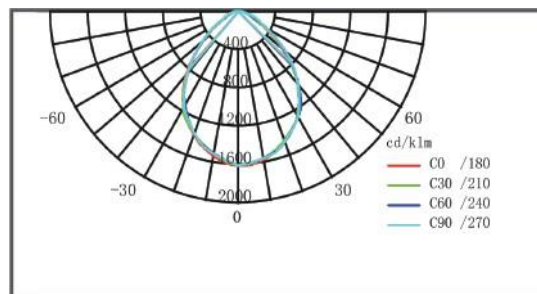
CHARACTERISTICS

- Wattage : 10W ~ 50W
- Input Voltage : AC220-240V 50/60Hz
- Light Efficacy : ≥100 Lm/W
- Power Factor : 0.9
- Color Rendering Index (CRI) : >80
- Color Temperature CCT : 3000K / 4000K / 5000K
- Beam Angle : 15° / 24° / 60° (10W)
24° / 36° / 60° (20W / 30W)
24° / 60° (40W / 50W)
- Light Source : LED @ 50,000hrs
- Power Source : Remote Constant Current Driver
- IP Rating : IP20

DIMENSION (mm)



PHOTOMETRIC CURVE



Model No.	Description	Diameter(mm)	Height(mm)	Cutout (mm)
VETVR1040	VETO-V 10W LED Recessed Downlight 4000K	Ø90	70	Ø75
VETVR2040	VETO-V 20W LED Recessed Downlight 4000K	Ø110	90	Ø95
VETVR3040	VETO-V 30W LED Recessed Downlight 4000K	Ø138	100	Ø120
VETVR4040	VETO-V 40W LED Recessed Downlight 4000K	Ø190	130	Ø165
VETVR5050	VETO-V 50W LED Recessed Downlight 4000K	Ø230	135	Ø200





Microwave / Motion Sensor
Available upon request



VETO-PRO/R

DEEP ANTI-GLARE LED DOWNLIGHT

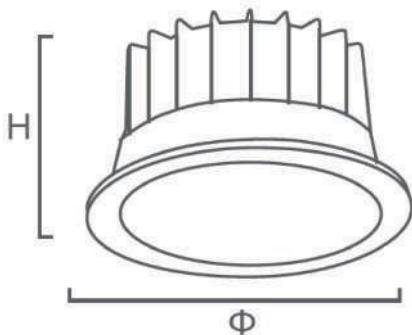
FEATURES

- Die-cast aluminum housing
- Finished with powder coated
- Anti-glare opal polycarbonate diffuser
- Stainless steel locking devices
- Operating Temperature -15°C ~ +45°C
- Available in multi CCT
- Dimming Function & Microwave / Motion Sensor available upon request

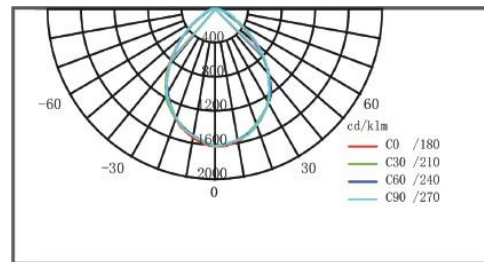
CHARACTERISTICS

- Wattage : 10W ~ 50W
- Input Voltage : AC220~240 50/60Hz
- Light Efficacy : ≥100 lm/W
- Power Factor : >0.9
- Color Rendering Index (CRI) : >80
- UGR : <16
- Color Temperature CCT : 3000K/4000K/5000K
- Beam Angle : 60°
- Light Source : LED @ 50,000hrs
- Power Source : Remote Constant Current Driver
- IP Rating : IP20

DIMENSION (mm)



PHOTOMETRIC CURVE

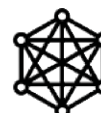


Model No.	Description	Diameter(mm)	Height(mm)	Cut out(mm)
VETPR1040	VETO-PRO/R 10W LED Recessed Downlight 4000K	Ø115	65	Ø100
VETPR2040	VETO-PRO/R 20W LED Recessed Downlight 4000K	Ø140	80	Ø125
VETPR3040	VETO-PRO/R 30W LED Recessed Downlight 4000K	Ø160	85	Ø145
VETPR4040	VETO-PRO/R 40W LED Recessed Downlight 4000K	Ø198	98	Ø175
VETPR5040	VETO-PRO/R 50W LED Recessed Downlight 4000K	Ø230	102	Ø215





Microwave / Motion Sensor
Available upon request



VETO-PRO/S

LED RECESSED DOWNLIGHT

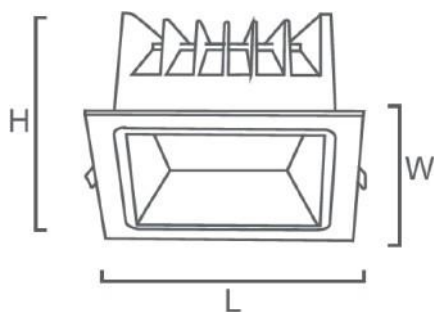
FEATURES

- Die-cast aluminum housing
- Finished with powder coated
- Anti-glare opal polycarbonate diffuser
- Stainless steel locking devices
- Operating Temperature -15°C ~ +45°C
- Available in multi CCT
- Dimming Function & Microwave / Motion Sensor available upon request

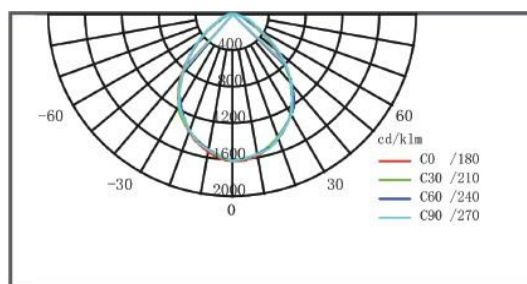
CHARACTERISTICS

- Wattage : 10W ~ 40W
- Input Voltage : AC220~240 50/60Hz
- Light Efficacy : ≥100 lm/W
- Power Factor : >0.9
- Color Rendering Index (CRI) : >80
- UGR : <16
- Color Temperature CCT : 3000K/4000K/5000K
- Beam Angle : 60°
- Light Source : LED @ 50,000hrs
- Power Source : Remote Constant Current Driver
- IP Rating : IP20

DIMENSION (mm)



PHOTOMETRIC CURVE

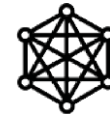


Model No.	Description	Length(mm)	Width(mm)	Height(mm)	Cut out(mm)
VETPS1040	VETO-PRO/S 10W LED Recessed Downlight 4000K	115	115	65	L100xW100
VETPS2040	VETO-PRO/S 20W LED Recessed Downlight 4000K	140	140	75	L125xW125
VETPS3040	VETO-PRO/S 30W LED Recessed Downlight 4000K	160	160	80	L145xW145
VETPS4040	VETO-PRO/S 40W LED Recessed Downlight 4000K	195	195	95	L180xW180





Microwave / Motion Sensor
Available upon request



VETO-IP

WEATHERPROOF LED DOWNLIGHT

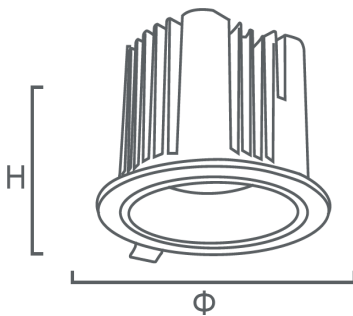
FEATURES

- Die-cast aluminum radiator with higher heat dissipation efficiency.
- Honeycomb Mesh, effectively prevent excess astigmatism.
- Deep reflector cup, providing anti-glare performance
- The Shell color is white + black gray by default
- Operating Temperature -15°C ~ +45°C
- Available in multi CCT
- Dimming Function & Microwave / Motion Sensor available upon request

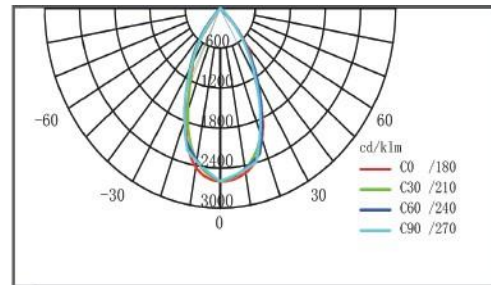
CHARACTERISTICS

- Wattage : 15W / 25W / 40W
- Input Voltage : AC220~240 50/60Hz
- Light Efficacy : ≥100 lm/W
- Power Factor : >0.9
- Color Rendering Index (CRI) : >80
- UGR : <16
- Color Temperature CCT : 3000K/4000K/5000K
- Beam Angle : 15°/24°/38°/45°/60°
- Light Source : LED @ 50,000hrs
- Power Source : Remote Constant Current Driver
- IP Rating : IP65

DIMENSION (mm)



PHOTOMETRIC CURVE

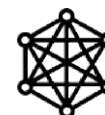


Model No.	Description	Diameter(mm)	Height(mm)	Cut out(mm)
VETIP1540	VETO-IP 15W Weatherproof LED Downlight 4000K	Ø115	78	Ø80
VETIP2540	VETO-IP 25W Weatherproof LED Downlight 4000K	Ø123	92.5	Ø110
VETIP4040	VETO-IP 40W Weatherproof LED Downlight 4000K	Ø145	106	Ø130





Microwave / Motion Sensor
Available upon request



COMET

LED HIGHBAY

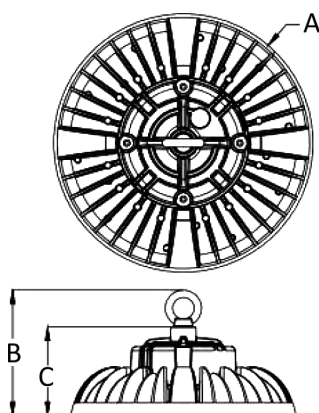
FEATURES

- High pressure die-cast aluminum alloy housing
- Corrosion resistant
- Finished with polyester powder paint
- Standard colour black
- Clear acrylic protector
- Integral control gear mounted on the housing for easy maintenance
- Operating temperature (Ta) - 10°C ~ 40°C
- Future proof
- Zhaga ready
- Microwave / Motion Sensor available upon request

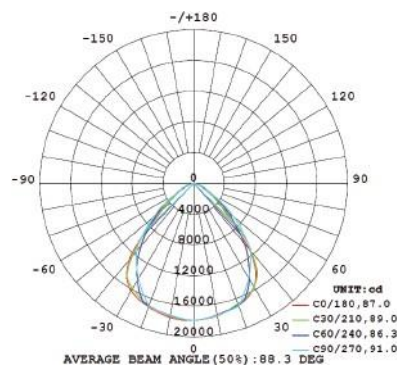
CHARACTERISTICS

- Wattage : 60W ~ 240W
- Input Voltage : 100~277V 50/60Hz
- Light Efficacy : ≥130 Lm/W
- Power Factor : >0.95
- Colour Rendering Index (CRI) : ≥70
- Color Temperature CCT : 3000K ~ 6000K
- Light Source : LED @ 50,000hrs
- IP Rating : IP65
- IK Rating : IK08

DIMENSION (mm)



PHOTOMETRIC CURVE



Model No.	Description	A(mm)	B(mm)	C(mm)
COM06060	COMET LED High bay 60W	Ø220	145.8	103.3
COM10060	COMET LED High bay 100W	Ø220	145.8	103.3
COM12060	COMET LED High bay 120W	Ø260	145.8	103.3
COM15060	COMET LED High bay 150W	Ø260	145.8	103.3
COM20060	COMET LED High bay 200W	Ø300	145.8	103.3
COM24060	COMET LED High bay 240W	Ø300	145.8	103.3





Product Tested



Microwave / Motion Sensor
Available upon request

ICON LED Highbay

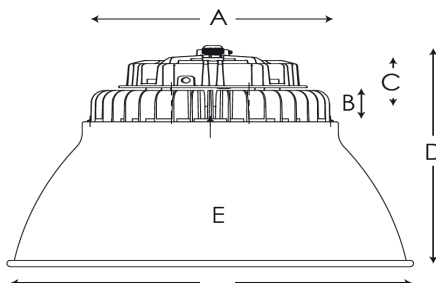
FEATURES

- High pressure die-cast aluminum alloy gear housing
- Corrosion resistant
- Finished with polyester powder paint
- Anti-aging silicon rubber gasket
- Clear tempered glass protector
- High reflectance anodized finished aluminum reflector
- Integral control gear mounted on the housing for easy maintenance
- Operating temperature (Ta) - 25°C ~ 40°C
- Microwave / Motion Sensor available upon request

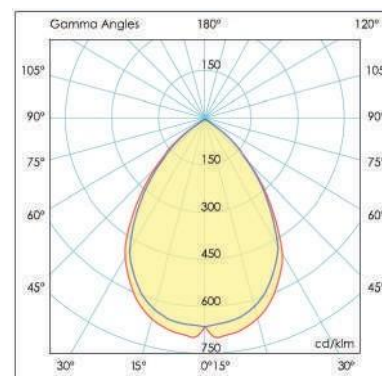
CHARACTERISTICS

- Wattage : 80W ~ 240W
- Input Voltage : AC 100~277V 50/60Hz
- Light Efficacy : ≥ 120 Lm/W
- Power Factor : > 0.90
- Colour Rendering Index (CRI) : ≥ 70
- Color Temperature CCT : 3000K ~ 6000K
- Light Source : LED @ 50,000hrs
- Power Source : Gruppe
- IP Rating : IP66
- IK Rating : IK08

DIMENSION (mm)



PHOTOMETRIC CURVE



Model No.	Description	A(mm)	B(mm)	C(mm)	D(mm)	E(mm)
ICN08060	ICON LED High bay Light 80W	260	45	121	286	470
ICN10060	ICON LED High bay Light 100W	260	45	121	286	470
ICN12060	ICON LED High bay Light 120W	313	45	121	311	595
ICN15060	ICON LED High bay Light 150W	313	45	121	311	595
ICN18060	ICON LED High bay Light 180W	378	50	126	356	600
ICN20060	ICON LED High bay Light 200W	378	50	126	356	600
ICN24060	ICON LED High bay Light 240W	378	50	126	356	600





Product Tested



Microwave / Motion Sensor
Available upon request

ICON LOWBAY

LED LOWBAY LIGHT

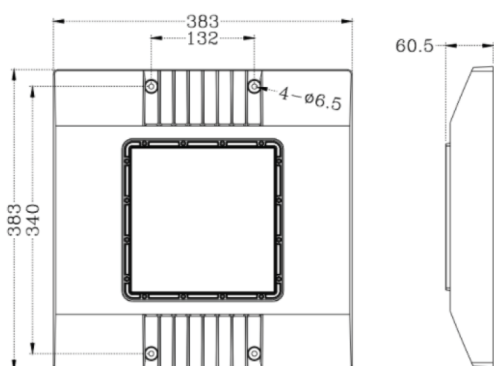
FEATURES

- Fire retardant, oil proof, acid-uric, alkali fast, Silicon rubber gasket
- Suitable for Indoor and Outdoor use.
- High pressure die-cast aluminum alloy housing
- Corrosion resistant
- Finished with polyester powder paint
- Microwave / Motion Sensor available upon request

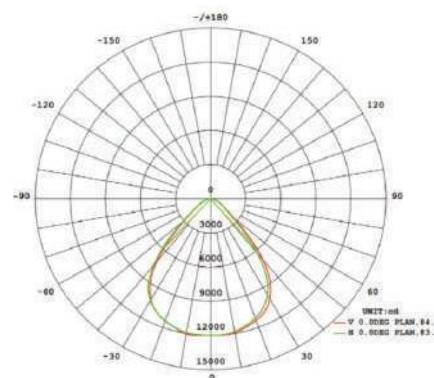
CHARACTERISTICS

- Wattage : 100-180W
- Input Voltage : AC100-240VAC 50/60Hz
- Light Efficacy : 125-160lm/W
- Power Factor : >0.98
- Color Rendering Index (CRI) : >70
- Color Temperature CCT : 2700-6000K
- Beam Angle : 85°
- Light Source : LED @ 50,000hrs
- Power Source : Integrated Driver
- IP Rating : IP65

DIMENSION (mm)



PHOTOMETRIC CURVE



Description	Length(mm)	Width(mm)
ICON LED Lowbay Canopy Light 100W	383	383
ICON LED Lowbay Canopy Light 120W	383	383
ICON LED Lowbay Canopy Light 150W	383	383
ICON LED Lowbay Canopy Light 180W	383	383





TRIPOD

PORTABLE LED FLOODLIGHT

FEATURES

- 4000MAH Li-Ion Battery
- With EU AC/DC Adaptor and Car charger 12V-24V

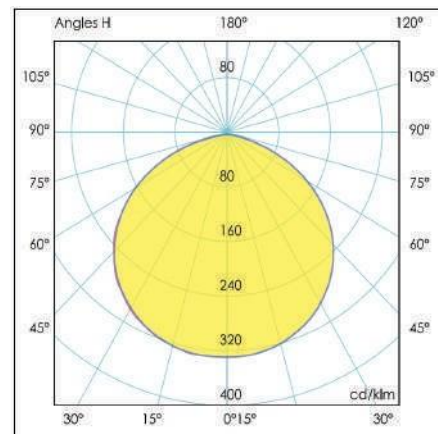
CHARACTERISTICS

- Wattage : 30W / 50W
- Battery type : Rechargeable Li-Ion Battery
- Charging and Operation : 5hrs Charging Time 3hrs working time
- Input Voltage : AC100~240V 50/60Hz
- Power Factor : >0.95
- Colour Temperature CCT : 2700K ~ 6000K
- Light Source : LED @ 50,000hrs
- IP Rating : IP65

ACCESSORIES



PHOTOMETRIC CURVE



Model No.	Description	Wattage	Voltage
LECP0163	TRIPOD LED Floodlight 10W with Rechargeable Li Battery	10W	7.4V
LECP0164	TRIPOD LED Floodlight 20W with Rechargeable Li Battery	20W	11.1V
LECP0165	TRIPOD LED Floodlight 30W with Rechargeable Li Battery	30W	14.8V
LECP0471	TRIPOD LED Floodlight 50W with Rechargeable Li Battery	50W	16.8V



SPOT II

LED FLOODLIGHT

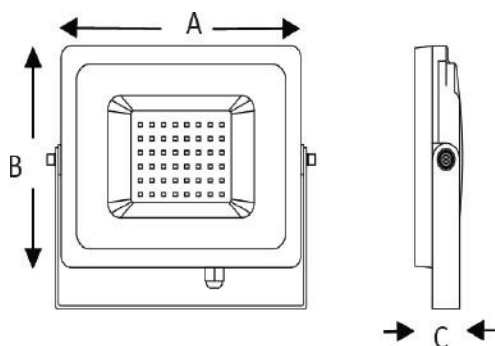
FEATURES

- High pressure die-cast aluminum alloy housing
- Corrosion resistant
- Finished with polyester powder paint
- Standard colour black
- Bracket made of steel painted in black colour
- Anti-aging silicon rubber gasket
- Clear tempered glass cover
- Operating temperature -20°C ~ 40°C

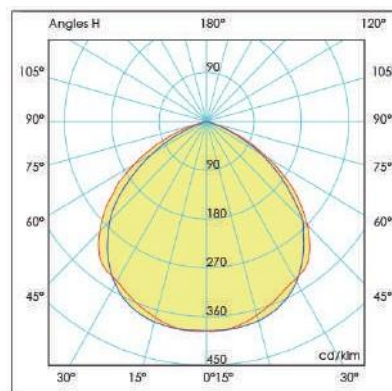
CHARACTERISTICS

- Wattage : 10W ~ 300W
- Input Voltage : AC220V~230V 50Hz/60Hz
- Light Efficacy : ≥100 Lm/W
- Power Factor : >0.90
- Color Temperature CCT : 3000K ~ 6000K
- Light Source : LED @ 50,000hrs
- Power Source : DOB (Driver on Board)
- IP Rating : IP65

DIMENSION (mm)



PHOTOMETRIC CURVE



Model No.	Description	A(mm)	B(mm)	C(mm)
SP201060	SPOT II LED Floodlight 10W	103	83	23
SP202060	SPOT II LED Floodlight 20W	121	95	25
SP203060	SPOT II LED Floodlight 30W	160	123	26
SP205060	SPOT II LED Floodlight 50W	206	160	30
SP210060	SPOT II LED Floodlight 100W	270	210	32
SP215060	SPOT II LED Floodlight 150W	330	230	33
SP220060	SPOT II LED Floodlight 200W	380	280	36
SP230060	SPOT II LED Floodlight 300W	445	335	44





DELTA / E

LED FLOODLIGHT

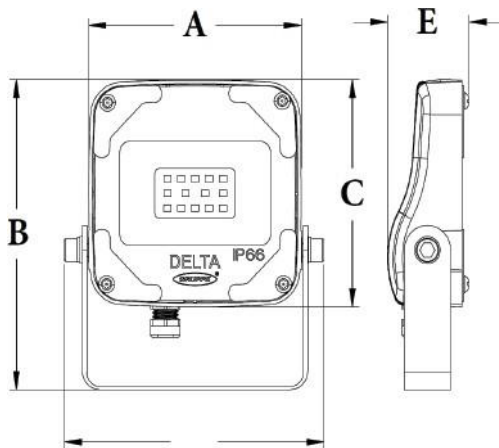
FEATURES

- High pressure die-cast aluminum alloy housing
- Corrosion resistant
- Finished with polyester powder paint
- Standard colour grey
- Bracket made of galvanized steel painted in gray colour
- Anti-aging silicone rubber gasket
- Clear tempered glass cover
- Stainless steel screws
- Operating temperature - 25°C ~ 40°C

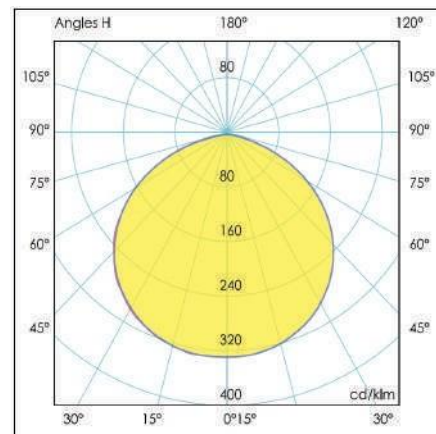
CHARACTERISTICS

- Wattage : 10W ~ 50W
- Input Voltage : AC220V~230V 50Hz/60Hz
- Light Efficacy : ≥ 100 Lm/W
- Power Factor : > 0.90
- Color Temperature CCT : 3000K ~ 6000K
- Light Source : LED @ 50,000hrs
- Power Source : DOB (Driver on Board)
- IP Rating : IP66

DIMENSION (mm)



PHOTOMETRIC CURVE



Model No.	Description	A(mm)	B(mm)	C(mm)	D(mm)	E(mm)
DEL01060	DELTA/E LED Floodlight 10W	100	100	137	122	38
DEL03060	DELTA/E LED Floodlight 30W	140	160	198	162	48
DEL05060	DELTA/E LED Floodlight 50W	170	190	227	192	51





Product Tested



Microwave / Motion Sensor
Available upon request

DELTA

LED FLOODLIGHT

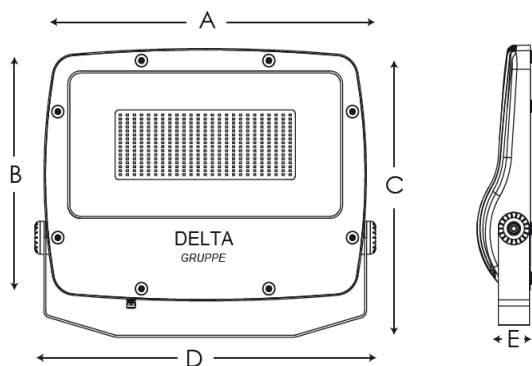
FEATURES

- High pressure die-cast aluminum alloy housing
- Corrosion resistant
- Finished with polyester powder paint
- Standard colour grey
- Bracket made of galvanized steel painted in gray colour
- Anti-aging silicone rubber gasket
- Clear tempered glass cover
- Stainless steel screws
- Operating temperature - 25°C ~ 40°C
- Microwave / Motion Sensor available upon request

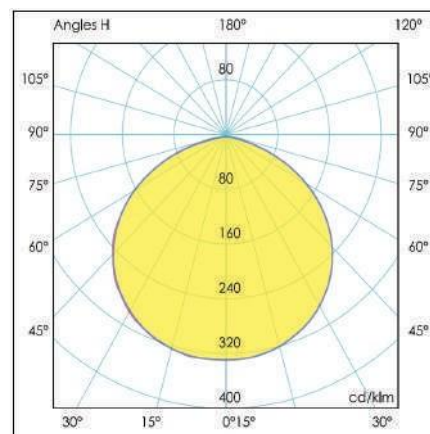
CHARACTERISTICS

- Wattage : 100W ~ 300W
- Input Voltage : AC100~240V 50/60Hz
- Light Efficacy : ≥110 Lm/W
- Power Factor : >0.90
- Color Rendering Index (CRI) : ≥70
- Color Temperature CCT : 3000K ~ 6000K
- Light Source : LED @ 50,000hrs
- Power Source : Remote constant current driver
- IP Rating : IP66
- IK Rating : IK09

DIMENSION (mm)



PHOTOMETRIC CURVE



Model No.	Description	A(mm)	B(mm)	C(mm)	D(mm)	E(mm)
DEL10060	DELTA LED Floodlight 100W	252	290	342	294	65
DEL15060	DELTA LED Floodlight 150W	390	295	339	431	72
DEL20060	DELTA LED Floodlight 200W	450	342	405	493	72
DEL24060	DELTA LED Floodlight 240W	500	380	439	543	89
DEL30060	DELTA LED Floodlight 300W	500	380	439	543	89





Product Tested



Microwave / Motion Sensor
Available upon request

UNIVERSAL LED FLOODLIGHT

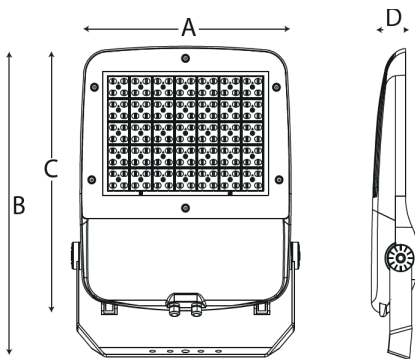
FEATURES

- High pressure die-cast aluminum alloy housing
- Finished with polyester powder paint & Corrosion resistant
- Standard colour grey
- Anti -aging silicone rubber gasket
- Clear tempered glass cover
- Stainless steel screws
- Operating temperature - 25°C ~ 50°C
- Available in Symmetrical & Asymmetrical Beam
- Microwave / Motion Sensor available upon request

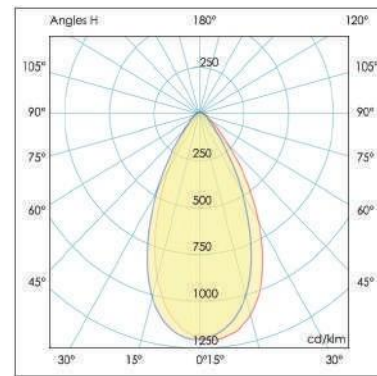
CHARACTERISTICS

- Wattage : 100W ~ 480W
- Input Voltage : AC100~277V 50/60Hz
- Light Efficacy : ≥130 Lm/W
- Power Factor : >0.90
- Color Rendering Index (CRI) : ≥70
- Color Temperature CCT : 3000K ~ 6000K
- Light Source : LED @ 50,000hrs
- Power Source : Meanwell / Inventronic
- IP Rating : IP66
- IK Rating : IK09

DIMENSION (mm)



PHOTOMETRIC CURVE

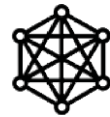


Model No.	Description	A(mm)	B(mm)	C(mm)	D(mm)
UNI10050	UNIVERSAL LED Floodlight 100W	282	390	356	73
UNI12050	UNIVERSAL LED Floodlight 120W	386	488	416	81
UNI15050	UNIVERSAL LED Floodlight 150W	386	488	416	81
UNI20050	UNIVERSAL LED Floodlight 200W	386	488	416	81
UNI24050	UNIVERSAL LED Floodlight 240W	461	594	508	94
UNI30050	UNIVERSAL LED Floodlight 300W	461	594	508	94
UNI40050	UNIVERSAL LED Floodlight 400W	519	681	588	108
UNI48050	UNIVERSAL LED Floodlight 480W	519	681	588	108





Microwave / Motion Sensor
Available upon request

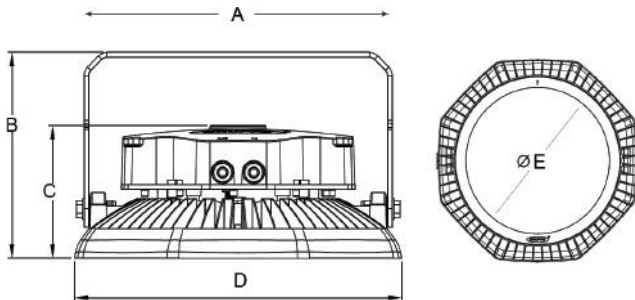


ROYAL LED FLOODLIGHT

FEATURES

- High pressure die-cast aluminum alloy housing
- Corrosion resistant
- Finished with polyester powder paint
- Standard colour grey
- Bracket made of galvanized steel painted in grey colour
- Anti-aging silicone rubber gasket
- Clear tempered glass cover
- Stainless steel screws
- Operating temperature (Ta) - 25°C~ 40°C
- Future Proof
- NEMA ready

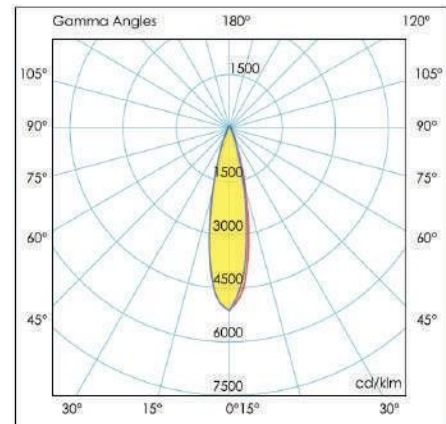
DIMENSION (mm)



CHARACTERISTICS

- Wattage : 150W ~ 300W
- Input Voltage : 90V~260V 50Hz/60Hz
- Light Efficacy : ≥ 130 Lm/W
- Power Factor : > 0.90
- Color Rendering Index (CRI) : ≥ 70
- Color Temperature CCT : 3000K ~ 6000K
- Light Source : LED @ 50,000hrs
- LED Driver : Meanwell
- IP Rating : IP66
- IK Rating : IK09

PHOTOMETRIC CURVE



Model No.	Description	A(mm)	B(mm)	C(mm)	D(mm)	E(mm)
ROY10030	ROYAL LED Floodlight 100W	333	245	146	345	230
ROY15030	ROYAL LED Floodlight 150W	333	245	146	345	230
ROY20030	ROYAL LED Floodlight 200W	398	260	167	420	295
ROY24030	ROYAL LED Floodlight 240W	398	260	167	420	295
ROY30030	ROYAL LED Floodlight 300W	398	260	167	420	295



DEVANCE

UniBox Led Lighting

The UniBox Led lighting is a modern and energy efficient fixture designed for Area Lighting, Sports Lighting and Perimeter Lighting.

With a power range from 100W up to 640W and an efficiency of around 130lm/w, this fixture can maximize your governmental rebates and minimize your customer's power consumption. The die cast aluminum housing assures excellent heat distribution. Thanks to an ingress rating of IP65 it is suitable for indoor & outdoor use under all conditions.

Pleasant Appearance, Compact &
Robust Cut Off & Anti Glare
Asymmetrical





Product Tested



Microwave / Motion Sensor
Available upon request

UNIBOX

LED LIGHTING

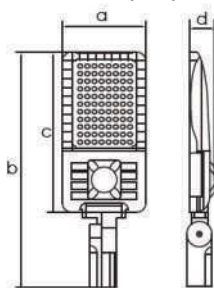
FEATURES

- Aluminum die-casting heat sinks is good for heat dissipation
- Standard colour black (other colour available upon request)
- Durable chip and fade resistance powder coat finish
- Environment friendly, energy saving
- Special circuit design, each LED work separately, avoiding the single broken LED influence problem
- Steam line exterior design, beautiful appearance, compact & robust
- Cut Off & Anti Glare
- Working temperature - 40° ~+45°
- Modern and energy efficient fixture designed for Area lighting, industrial lighting, sports lighting, port wharf lighting and perimeter lighting
- iTouch IOT system, DALi dimming control system & Sensor (Optional)

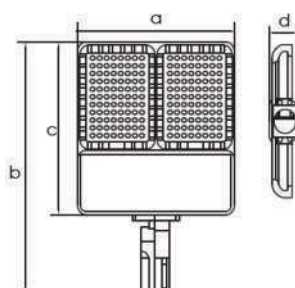
CHARACTERISTICS

- Wattage : 100W ~ 640W
- Input Voltage : AC100 ~ 277V / 50~60Hz, 200~480V available
- Light Efficacy : ≥130 lm/w
- Power Factor : >0.95
- Color Rendering index (CRI) : ≥70
- Color Temperature CCT : 3000K ~ 6000K
- Light Source : LED @ 50,000hrs
- Insulation : Class 1
- Beam Angels : Type 3M / Type 4M (Type 2 and Type 5 optional)
- IP Rating : IP65

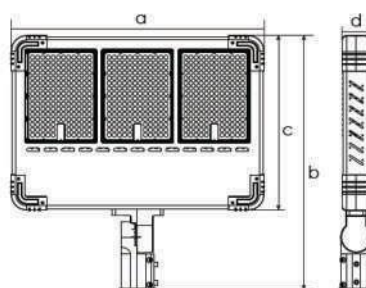
DIMENSION (mm)



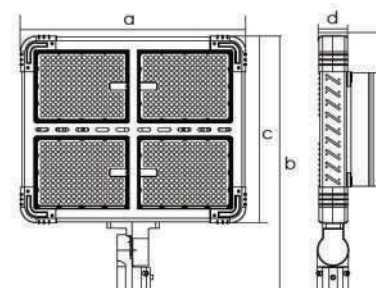
100W / 150W



200W / 240W / 300W



450W / 480W



640W

PHOTOMETRIC CURVE

Model No.	Description	a(mm)	b(mm)	c(mm)	d(mm)
UNIB10060	UNIBOX LED LIGHTING 100W	250	616	420	72
UNIB15060	UNIBOX LED LIGHTING 150W	250	616	420	72
UNIB20060	UNIBOX LED LIGHTING 200W	420	616	420	80
UNIB24060	UNIBOX LED LIGHTING 240W	420	616	420	80
UNIB30060	UNIBOX LED LIGHTING 300W	420	616	420	80
UNIB45060	UNIBOX LED LIGHTING 450W	610	616	420	68
UNIB48060	UNIBOX LED LIGHTING 480W	610	616	422	68
UNIB64060	UNIBOX LED LIGHTING 640W	543	660	466	70

DEVANCE

ARENA SERIES

A new Ultra-Lightweight Led Sport Lighting fixture designed for direct retrofit of old HID lights. It comes with various Optic to meet the lighting requirement for all Sport Stadium and High Mast lighting.





ARENA

LED FLOODLIGHT

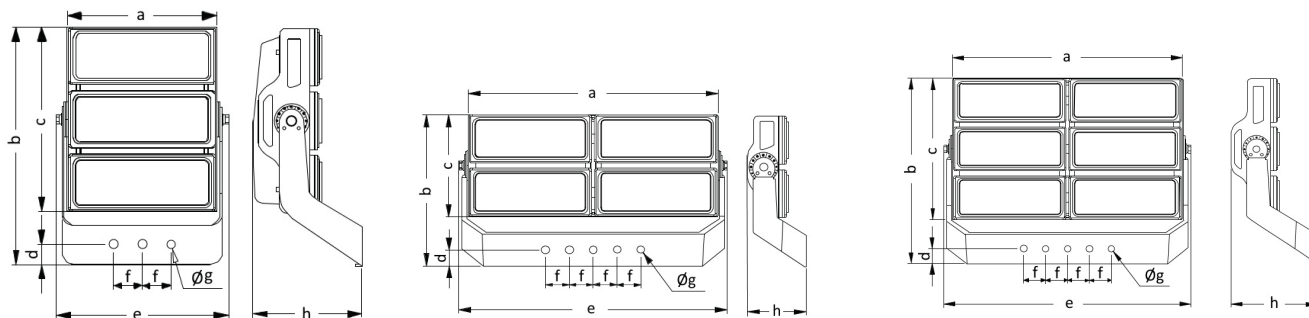
FEATURES

- Extruded Aluminium body with Die cast Aluminium side cover
- Corrosion resistance with Polyester powder painting
- Crystal Clear Lens in PC material
- Symmetric / Asymmetric beam
- Clear Tempered Glass
- Stainless Steel Screw
- Integrated / Remote Driver
- DALI / DMX available upon request

CHARACTERISTICS

- Wattage : 600W - 1500W
- Input Voltage : AC100-277V, 50/60Hz
- Light Efficacy : 150-170 lm/W
- Power Factor : >0.90
- Color Rendering Index (CRI) : >70Ra / 80Ra / 90Ra
- Color Temperature CCT : 4000K / 5000K / 5700K
- Light Source : LED @ 50,000hrs
- LED Driver : Meanwell
- Optic Lens : Symmetric 8° / 15°/25°/50°/90°
Asymmetric / Narrow / Wide
- IP Rating : IP66
- IK Rating : IK10

DIMENSION (mm)



Model No.	Description	a(mm)	b(mm)	c(mm)	d(mm)	e(mm)	f(mm)	g(mm)	h(mm)	Weight(kg)
ARN060057	ARENA LED Floodlight 600W	366	580	450	50	420	70	22	267	17.5
ARN075057	ARENA LED Floodlight 750W	366	580	450	50	420	70	22	267	18
ARN080057	ARENA LED Floodlight 800W	736	440	296	50	790	70	22	170	20.7
ARN0100057	ARENA LED Floodlight 1000W	736	440	296	50	790	70	22	170	20.7
ARN0120057	ARENA LED Floodlight 1200W	736	590	450	50	790	70	22	277	26.6
ARN0150057	ARENA LED Floodlight 1500W	736	590	450	50	790	70	22	277	26.6

ALFA Roadway Lighting

The Alfa Roadway Lighting luminaires are powered by the GRUPPE Crystal OpticLED™ Platform, and featuring innovative thermal management design, offers exceptional performance and value. This versatile luminaire can be tailored to the unique specifications of each project by offering multiple drivers, wattage options and dimming options to further maximize energy savings and provide the most cost-effective solution. The Alfa luminaires can be adjusted on-site optimal photometric performance. This flexibility ensures that the light distributions are specifically adapted to the real needs of the area to be lit.

ThermalSafe®

GlareSafe®

TightSafe®

Smart Intelligent System

Future Proof

Anti DRop System





ALFA LED STREETLIGHT

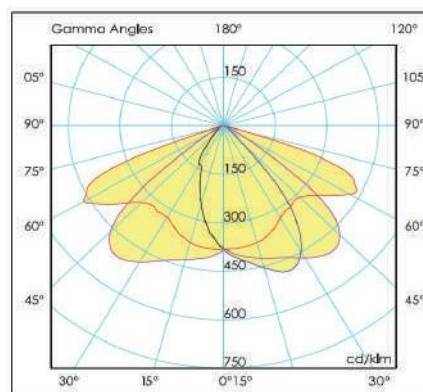
FEATURES

- High pressure die-cast aluminum alloy housing
- Corrosion resistant
- Finished with polyester powder paint
- Standard colour grey
- Easy access from the top for maintenance
- Easy replacement of the entire LED Module and Electronic System by removing the top cover
- Replaceable electronic unit in gear tray "plug & play"
- Adjustable mounting spigot for tilting and mounting flexibility on pole top or side entry
- Anti-aging silicone rubber gasket
- Clear tempered glass protector
- Clip on closure
- Operating temperature (Ta) - 25°C ~ 50°C

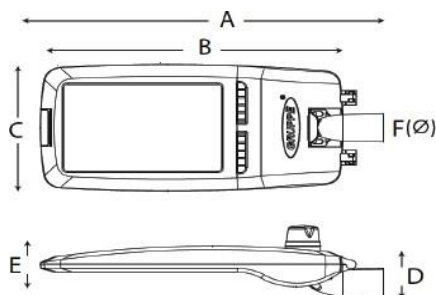
CHARACTERISTICS

- Wattage : 30W ~ 240W
- Input Voltage : 100V~277V 50Hz/60Hz
- Light Efficacy : 120 ~135 Lm/W
- Power Factor : >0.9
- Color Rendering Index (CRI) : ≥70
- Color Temperature CCT : 3000K ~ 6000K
- Light Source : LED @ 50,000hrs
- LED Driver : Meanwell
- IP Rating : IP66
- IK Rating : IK09

PHOTOMETRIC CURVE



DIMENSION (mm)



Model No.	Description	A(mm)	B(mm)	C(mm)	D(mm)	E(mm)	ØF(mm)
ALF03040	ALFA LED Streetlight 30W	445	350	230	121	85	60
ALF06040	ALFA LED Streetlight 60W	495	400	230	121	85	60
ALF09040	ALFA LED Streetlight 90W	670	570	280	138	110	60
ALF12040	ALFA LED Streetlight 120W	720	620	290	138	110	60
ALF15040	ALFA LED Streetlight 150W	720	620	290	138	110	60
ALF18040	ALFA LED Streetlight 180W	830	730	345	138	110	60
ALF20040	ALFA LED Streetlight 200W	830	730	345	138	110	60
ALF24040	ALFA LED Streetlight 240W	830	730	345	138	110	60



Microwave / Motion Sensor
Available upon request

NEPTUNE T8

LED WEATHERPROOF

FEATURES

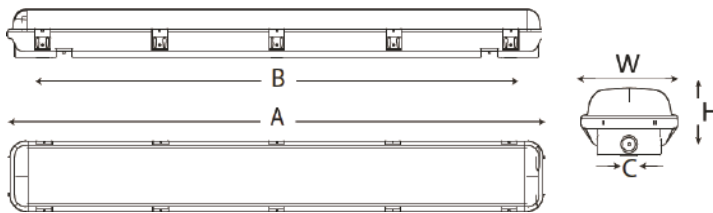
- Durable and lightweight
- Injection moulded Polycarbonate body and diffuser
- Easy locking stainless steel clips
- Pleasant appearance and reduce direct glare
- Excellent light distribution
- Operating temperature (Ta) - 25°C ~ 40°C
- Standard Grey color
- Microwave / Motion Sensor available upon request

CHARACTERISTICS

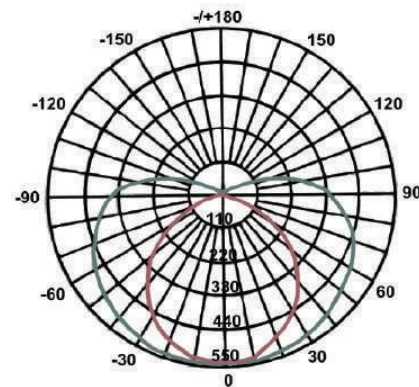
- Wattage : 1x10W / 1x18W / 2x10W / 2x18W
- Input Voltage : AC 100V~277V 50Hz/60Hz
- Light Efficacy : 100~ 120 Lm/W
- Power Factor : >0.90
- Color Temperature CCT : 3000K ~ 6000K
- Light Source : LED @ 50,000hrs
- IP Rating : IP65

*T5 LED available upon request.

DIMENSION (mm)



PHOTOMETRIC CURVE



Model No.	Description	A(mm)	B(mm)	C(mm)	W(mm)	H(mm)
NEP00001	NEPTUNE T8 LED w/proof ftg 1x10W c/w iLED Tube	660	530	45	90	90
NEP00002	NEPTUNE T8 LED w/proof ftg 1x18W c/w iLED Tube	1260	1140	45	90	90
NEP00003	NEPTUNE T8 LED w/proof ftg 2x10W c/w iLED Tube	660	530	95	135	95
NEP00004	NEPTUNE T8 LED w/proof ftg 2x18W c/w iLED Tube	1260	1140	95	135	95



Product Tested



Microwave / Motion Sensor
Available upon request

AVENUE T8

LED WEATHERPROOF

FEATURES

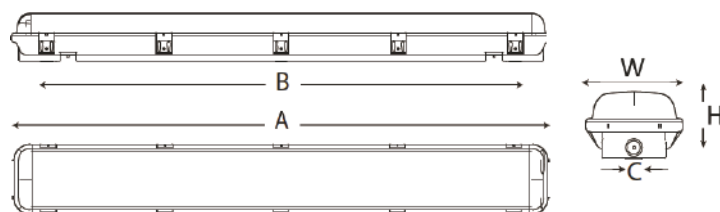
- Durable and lightweight
- Injection mould polycarbonate body and diffuser
- Easy locking stainless steel clips
- Pleasant appearance and reduce direct glare
- Excellent light distribution
- Operating temperature (Ta) -25°C ~ 40°C
- Standard grey color
- Microwave / Motion Sensor available upon request

CHARACTERISTICS

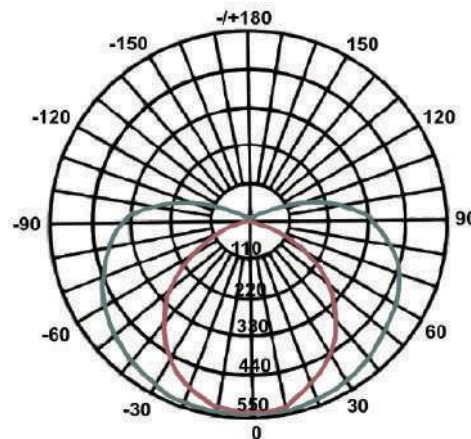
- Wattage : 1x10W / 1x18W / 2x10W / 2x18W
- Input Voltage : AC 90V~264V 50Hz/60Hz
- Light Efficacy : ≥100Lm/W
- Power Factor : >0.90
- Color Temperature CCT : 3000K ~ 6000K
- Light Source : LED @ 50,000hrs
- IP Rating : IP65

*T5 LED available upon request.

DIMENSION (mm)



PHOTOMETRIC CURVE



Model No.	Description	A(mm)	B(mm)	C(mm)	W(mm)	H(mm)
AVE00094	AVENUE T8 LED w/proof ftg 1x10W c/w iLED Tube	660	530	45	90	90
AVE00092	AVENUE T8 LED w/proof ftg 1x18W c/w iLED Tube	1260	1140	45	90	90
AVE00095	AVENUE T8 LED w/proof ftg 2x10W c/w iLED Tube	660	530	95	135	95
AVE00093	AVENUE T8 LED w/proof ftg 2x18W c/w iLED Tube	1260	1140	95	135	95



Product Tested



Microwave / Motion Sensor
Available upon request

AQUA LED-7

LED WEATHERPROOF BATTEN

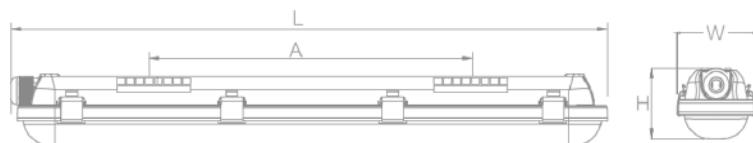
FEATURES

- Durable and lightweight
- Injection mould polycarbonate body and diffuser
- Easy locking stainless steel clips
- Pleasant appearance and reduce direct glare
- Excellent light distribution
- Operating temperature (Ta) -25°C ~ 40°C
- With 0-10V Dimming Driver
- Microwave / Motion Sensor available upon request

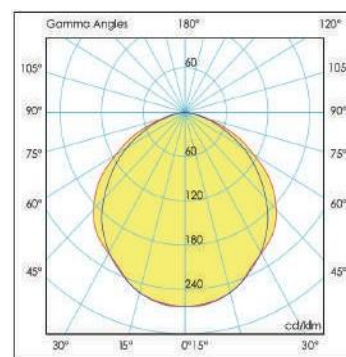
CHARACTERISTICS

- Wattage : 9W ~ 70W
- Input Voltage : 220~240V 50/60Hz
- Light Efficacy : ≥120 Lm/W
- Power Factor : >0.80
- Color Temperature CCT : 4000K ~ 6000K
- Light Source : LED @ 50,000hrs
- Power Source : Integrated
- IP Rating : IP66
- IK Rating : IK08

DIMENSION (mm)



PHOTOMETRIC CURVE



Model	Description	Lumen	Length(mm)	Width(mm)	Height(mm)	Install Size(A)
AQUA7D0960	AQUA LED-7 9W	1080lm	600	79	68	340mm
AQUA7D1860	AQUA LED-7 18W	2160lm	600	79	68	340mm
AQUA7D2060	AQUA LED-7 20W	2400lm	1200	79	68	820mm
AQUA7D3660	AQUA LED-7 36W	4320lm	1200	79	68	820mm
AQUA7D2560	AQUA LED-7 25W	3000lm	1500	79	68	1120mm
AQUA7D5060	AQUA LED-7 50W	6000lm	1500	79	68	1120mm
AQUA7D3460	AQUA LED-7 34W	4080lm	1800	79	68	1420mm
AQUA7D7060	AQUA LED-7 70W	8400lm	1800	79	68	1420mm



RAMBO

LED WEATHERPROOF

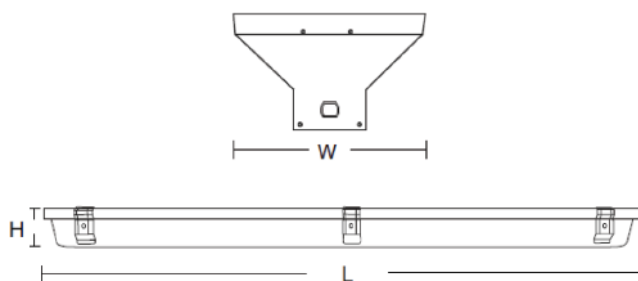
FEATURES

The RAMBO series is design with careful selection of the best material and components to assure perfect operation under extreme conditions. Aluminium body housing and the glass is hinged to the body, with stainless steel clip-on toggles for easy maintenance and lamp replacement.

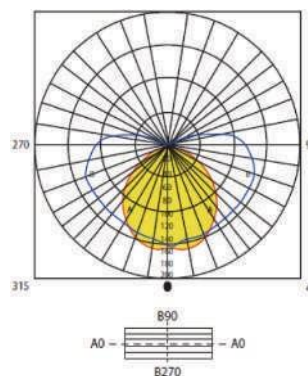
CHARACTERISTICS

- Wattage : 9W ~ 70W
- Input Voltage : AC 220V~240V 50Hz/60Hz
- Light Efficacy : ≥120 Lm/W
- Power Factor : >0.90
- Color Temperature CCT : 3000K ~ 6000K
- Light Source : LED @ 50,000hrs
- IP Rating : IP65

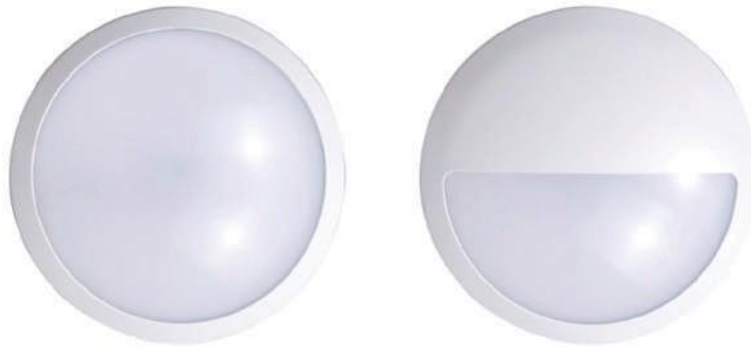
DIMENSION (mm)



PHOTOMETRIC CURVE



Model No.	Description	Length(mm)	Width(mm)	Height(mm)
RAMBO0960	RAMBO 9W LED WP FITTING	600	79	68
RAMBO1860	RAMBO 18W LED WP FITTING	600	79	68
RAMBO2060	RAMBO 20W LED WP FITTING	1200	79	68
RAMBO3660	RAMBO 36W LED WP FITTING	1200	79	68
RAMBO2560	RAMBO 25W LED WP FITTING	1500	79	68
RAMBO5060	RAMBO 50W LED WP FITTING	1500	79	68
RAMBO3460	RAMBO 34W LED WP FITTING	1800	79	68
RAMBO7060	RAMBO 70W LED WP FITTING	1800	79	68



Microwave / Motion Sensor
Available upon request

ORIS-K/R

SURFACE MOUNTED ROUND LIGHT

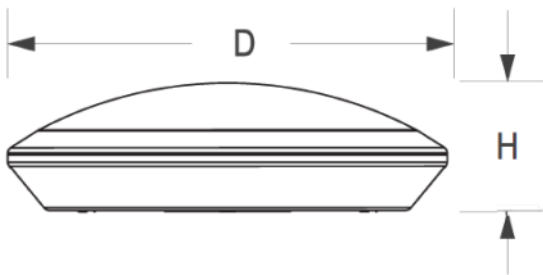
FEATURES

- Enclosed luminaire for wall / ceiling
- Polycarbonate Housing and Opal PC Diffuser
- Finished with epoxy polyester paint
- Weatherproof and durable silicon sealed rubber gasket
- Microwave / Motion Sensor available upon request

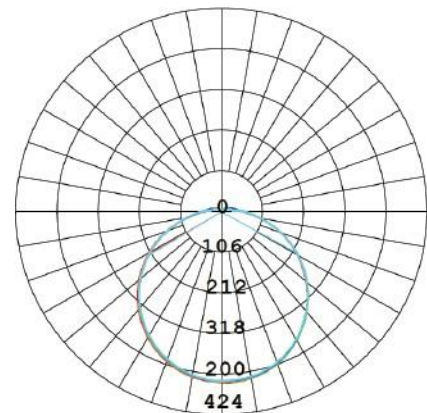
CHARACTERISTICS

- Wattage : 12W ~ 24W
- Input Voltage : 220V-240VAV
- Light Efficacy : ≥ 100 Lm/W
- Power Factor : 0.9
- Color Rendering Index (CRI) : >80
- Color Temperature CCT : 3000K/4000K/6000K
- Light Source : LED @ 50,000hrs
- IP Rating : IP66
- IK Rating : IK10

DIMENSION (mm)



PHOTOMETRIC CURVE



Model No.	Description	Diameter(mm)	Height(mm)
ORISK1240	ORIS/K 12W LED Round Light	ø311	92
ORISK1540	ORIS/K 15W LED Round Light	ø311	92
ORISK1840	ORIS/K 18W LED Round Light	ø355	108
ORISK2440	ORIS/K 24W LED Round Light	ø355	108



Product Tested



Microwave / Motion Sensor
Available upon request

ORIS-K/S

SURFACE MOUNTED SQUARE LIGHT

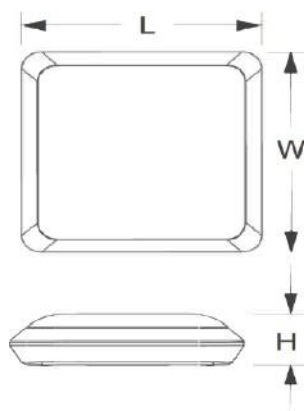
FEATURES

- Enclosed luminaire for wall / ceiling
- Polycarbonate Housing and Opal PC Diffuser
- Finished with epoxy polyester paint
- Weatherproof and durable silicon sealed rubber gasket
- Microwave / Motion Sensor available upon request

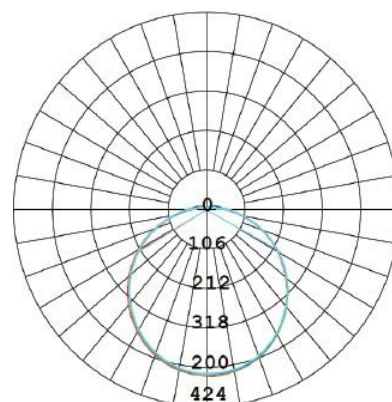
CHARACTERISTICS

- Wattage : 12W / 15W
- Input Voltage : 220V-240VAV
- Light Efficacy : ≥ 100 Lm/W
- Power Factor : 0.9
- Color Rendering Index (CRI) : > 80
- Color Temperature : 3000K/4000K/6000K
- Light Source : LED @ 50,000hrs
- IP Rating : IP66
- IK Rating : IK10

DIMENSION (mm)



PHOTOMETRIC CURVE



Model No.	Description	Length(mm)	Width(mm)	Height(mm)
ORISKS1240	ORIS/K 12W LED Square Light	300	300	79
ORISKS1540	ORIS/K 15W LED Square Light	300	300	79



Product Tested



Microwave / Motion Sensor
Available upon request

ORION-R

LED ROUND BULKHEAD

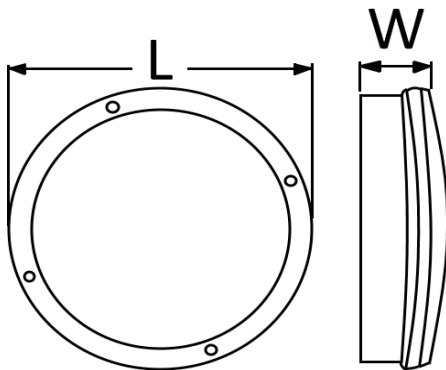
FEATURES

- Enclosed luminaire for wall / ceiling
- Die-cast aluminum housing
- Finished with epoxy polyester paint
- High impact resistant opal polycarbonate diffuser
- Stainless steel locking devices
- Weatherproof and durable silicon sealed rubber gasket
- Microwave / Motion Sensor available upon request

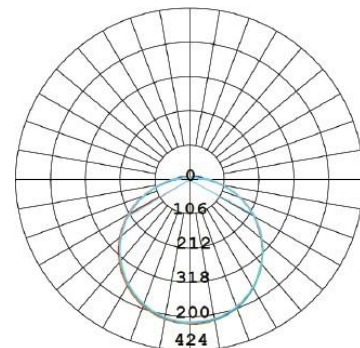
CHARACTERISTICS

- Wattage : 10W ~ 30W
- Input Voltage : AC 220V 50Hz
- Light Efficacy : ≥100 Lm/W
- Power Factor : 0.95
- Color Temperature CCT : 3000K ~ 5000K
- Light Source : LED @ 50,000hrs
- IP Rating : IP65

DIMENSION (mm)



PHOTOMETRIC CURVE



Model No.	Description	Length(mm)	Width(mm)
LED00066	ORION R 10W LED Round Bulkhead	225	55
LED00067	ORION R 15W LED Round Bulkhead	225	55
LED00068	ORION R 20W LED Round Bulkhead	225	55
LED00069	ORION R 30W LED Round Bulkhead	225	55



Microwave / Motion Sensor
Available upon request

ORION-S

LED SQUARE BULKHEAD

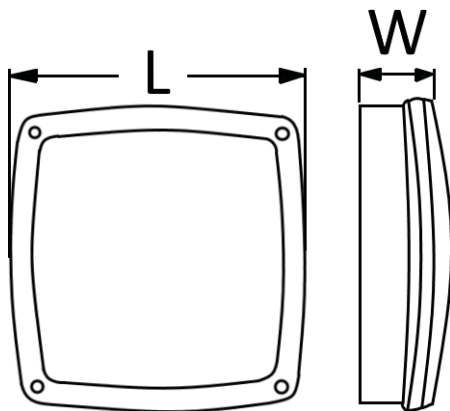
FEATURES

- Enclosed luminaire for wall / ceiling
- Die-cast aluminum housing
- Finished with epoxy polyester paint
- High impact resistant opal polycarbonate diffuser
- Stainless steel locking devices
- Weatherproof and durable silicon sealed rubber gasket
- Microwave / Motion Sensor available upon request

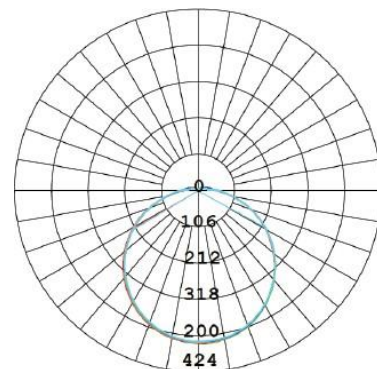
CHARACTERISTICS

- Wattage : 10W ~ 30W
- Input Voltage : AC 220V 50Hz
- Light Efficacy : ≥ 100 Lm/W
- Power Factor : 0.95
- Color Temperature CCT : 3000K ~ 5000K
- Light Source : LED @ 50,000hrs
- IP Rating : IP65

DIMENSION (mm)



PHOTOMETRIC CURVE



Model No.	Description	Length(mm)	Width(mm)
LED00070	ORION S 10W LED Square Bulkhead	300	79
LED00071	ORION S 15W LED Square Bulkhead	300	79
LED00072	ORION S 20W LED Square Bulkhead	300	79
LED00077	ORION S 30W LED Square Bulkhead	300	79



XEON

LED CEILING LIGHT

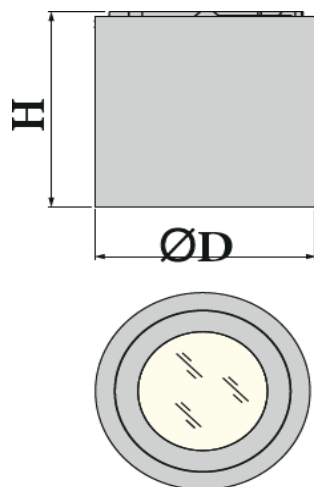
FEATURES

- Die-casting aluminum body, extruded aluminum body
- Surface anti-ageing electrostatic spray processing

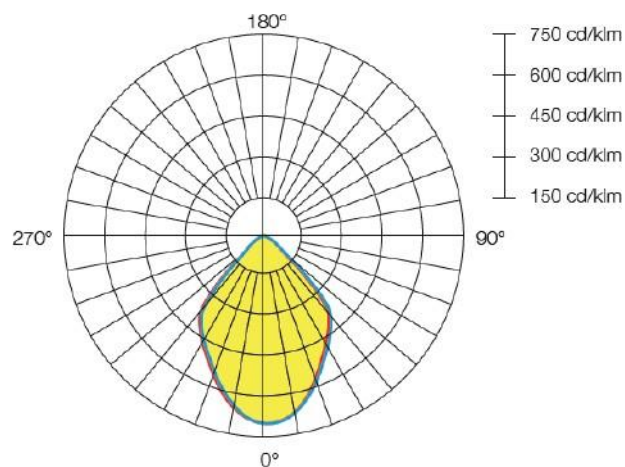
CHARACTERISTICS

- Wattage : 12W / 40W
- Input Voltage : 100~240V 50/60Hz
- Light Efficacy : 80~90 Lm/W
- Power Factor : >0.90
- Color Temperature CCT : 3000K ~ 4200K
- Light Source : LED @ 50,000hrs
- Power Source : Remote Driver
- IP Rating : IP65

DIMENSION (mm)



PHOTOMETRIC CURVE



Model No.	Description	Diameter(mm)	Height(mm)
XEON0007	XEON 12W LED Ceiling Light	Ø126	138
XEON0008	XEON 40W LED Ceiling Light	Ø168	150



Microwave / Motion Sensor
Available upon request

XEON II

LED CEILING LIGHT

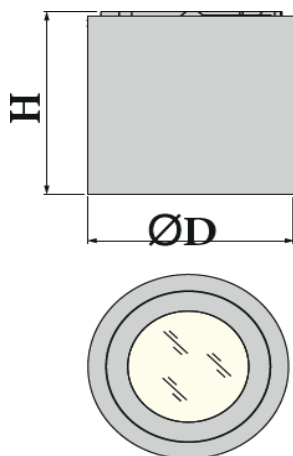
FEATURES

- Aluminum Alloy Housing, extruded aluminum body
- PMMA Opal Diffuser
- Microwave / Motion Sensor available upon request

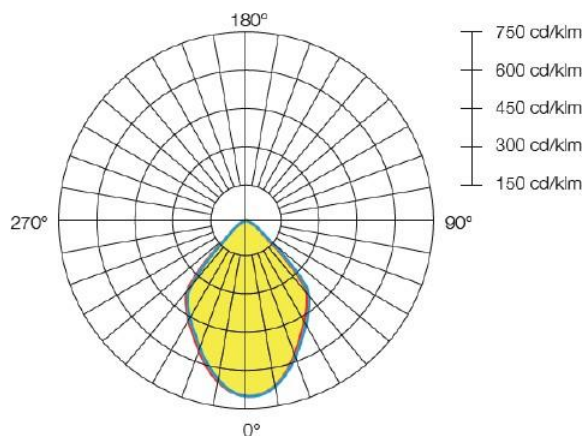
CHARACTERISTICS

- Wattage : 12W / 18W
- Input Voltage : 220~240V 50/60Hz
- Light Efficacy : ≥ 100 Lm/W
- Power Factor : 0.9
- Color Temperature CCT : 3000K ~ 6000K
- Light Source : LED @ 50,000hrs
- Power Source : Remote driver
- IP Rating : IP20

DIMENSION (mm)



PHOTOMETRIC CURVE



Model No.	Description	Diameter(mm)	Height(mm)
XEON21260	XEON II 12W LED Ceiling Light	Ø170	100
XEON21860	XEON II 18W LED Ceiling Light	Ø215	120



XEON-W

LED OUTDOOR WALL LIGHT

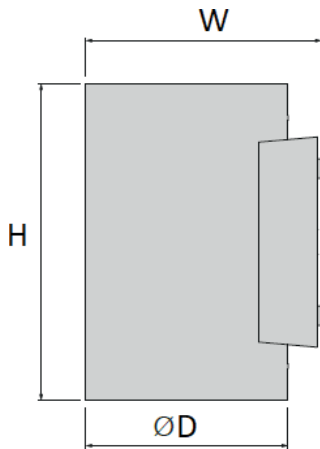
FEATURES

- Die-casting aluminum body, extruded aluminum body
- Surface anti-aging electrostatic spray processing

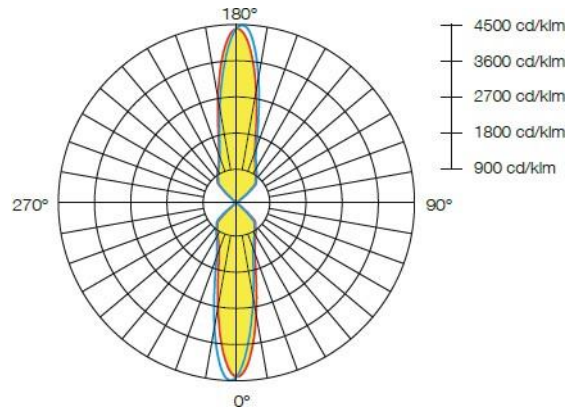
CHARACTERISTICS

- Wattage : 2x10W / 2x20W
- Input Voltage : 100~240V 50/60Hz
- Light Efficacy : 80~90 Lm/W
- Power Factor : >0.90
- Color Temperature CCT : 3000K ~ 4200K
- Light Source : LED @ 50,000hrs
- Power Source : Remote Driver
- IP Rating : IP65

DIMENSION (mm)



PHOTOMETRIC CURVE



Model No.	Description	Height(mm)	Width(mm)	Diameter(mm)
XEON0009	XEON Outdoor Wall Light 2x10W	175	131	Ø110
XEON0010	XEON Outdoor Wall Light 2x20W	226	168	Ø144



XEON MINI

LED WALL LIGHT

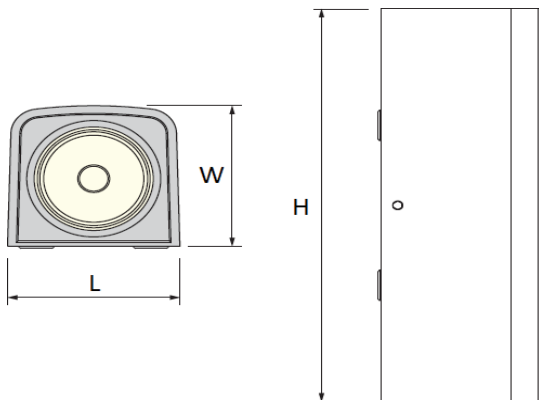
FEATURES

- Die-cast aluminum / body
- Surface anti-ageing electrostatic spray processing

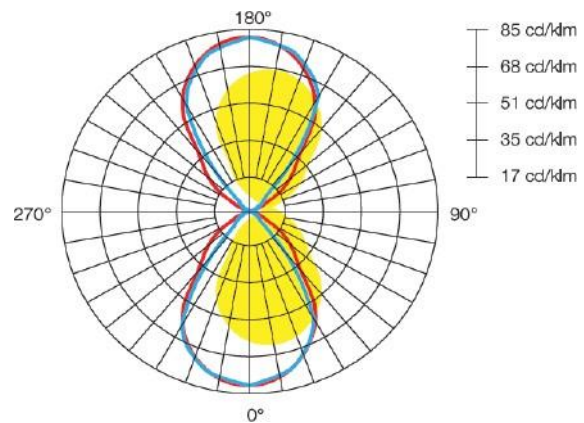
CHARACTERISTICS

- Wattage : 2x6w
- Input Voltage : 100~240V 50/60Hz
- Light Efficacy : 80~90 Lm/W
- Power Factor : >0.90
- Color Temperature CCT : 3000K ~ 6000K
- Light Source : LED @ 50,000hrs
- Power Source : Integrated Driver
- IP Rating : IP65

DIMENSION (mm)



PHOTOMETRIC CURVE



Model No.	Description	Length(mm)	Width(mm)	Height(mm)
XEONM1260	XEON Mini 2X6W LED Wall Light	60	56	158



CAPRI LED

LED OUTDOOR WALL

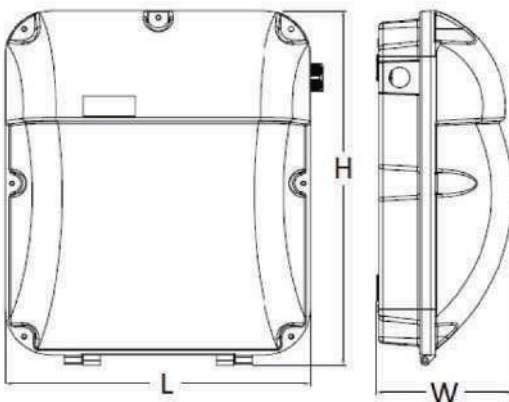
FEATURES

- Die-cast aluminum housing with polyester powder paint finish
- Vandal proof resistant polycarbonate clear ribbed diffuser
- Suitable for outdoor application
- Dimming Function & Microwave / Motion Sensor available upon request

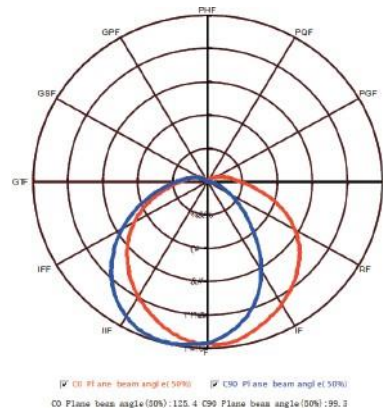
CHARACTERISTICS

- Wattage : 30W / 50W
- Input Voltage : 90~264V 50/60Hz
- Light Efficacy : ≥ 100 Lm/W
- Power Factor : > 0.90
- Color Temperature CCT : 3000K ~ 6000K
- Light Source : LED @ 50,000hrs
- Power Source : Remote constant current driver
- IP Rating : IP65

DIMENSION (mm)



PHOTOMETRIC CURVE



Model No.	Description	Length(mm)	Width(mm)	Height(mm)
LECP0309	CAPRI 30W LED Wall Light	264	117	309
LECP0412	CAPRI 50W LED Wall Light	264	117	309



MAXIM

LED POST TOP

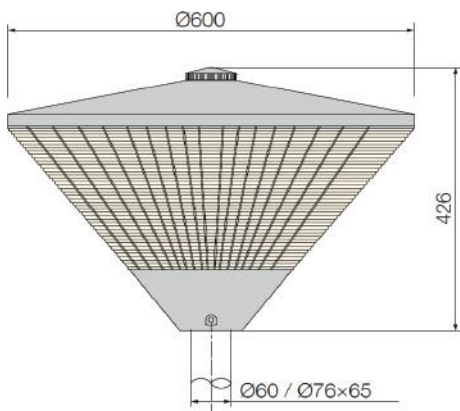
FEATURES

- Die-cast aluminum, aluminum revolving cover
- Anodized aluminum reflector and PC diffuser
- Galvanized steel plate
- Surface anti-ageing electrostatic spray processing, super resistance to corrosion
- Dimming Function & Microwave / Motion Sensor available upon request

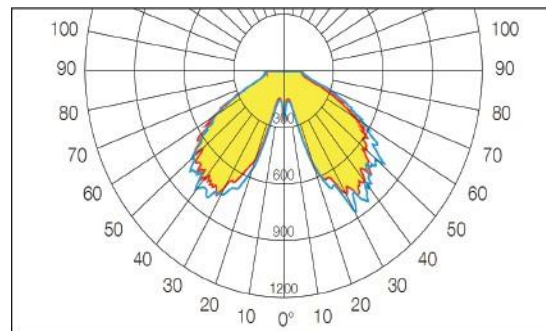
CHARACTERISTICS

- Wattage : 30W / 50W
- Input Voltage : 110~240V 50/60Hz
- Light Efficacy : 90~100 Lm/W
- Power Factor : >0.95
- Color Temperature CCT : 3000K ~ 6000K
- Light Source : LED @ 50,000hrs
- Power Source : Remote constant current driver
- IP Rating : IP65

DIMENSION (mm)



PHOTOMETRIC CURVE



Model No.	Description	Height(mm)	Width(mm)	Installation Pipe Diameter
MAXIM003	MAXIM 30W Post Top	426	ø600	ø60
MAXIM004	MAXIM 50W Post Top	426	ø600	ø60



BLAZE

LED BOLLARD

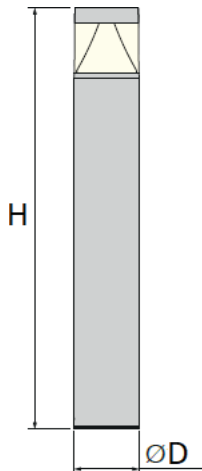
FEATURES

- Die-cast aluminium cover extruded aluminium pole
- Surface anti-aging electrostatic spray processing

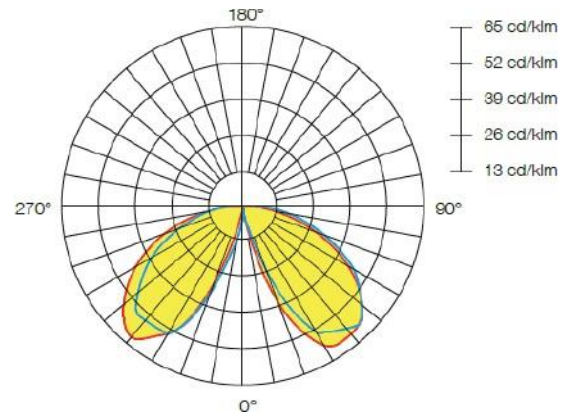
CHARACTERISTICS

- Wattage : 12W
- Input Voltage : 100~240V 50/60Hz
- Light Efficacy : 80~90 Lm/W
- Power Factor : >0.90
- Color Temperature CCT : 3000K ~ 6000K
- Light Source : LED @ 50,000hrs
- Power Source : Remote constant current driver
- IP Rating : IP65

DIMENSION (mm)



PHOTOMETRIC CURVE



Model No.

BLAZE012

Description

BLAZE 12W LED Bollard

Height(mm)

800

Diameter(mm)

Ø118



LED SPIKE

LED OUTDOOR LANDSCAPE LIGHT

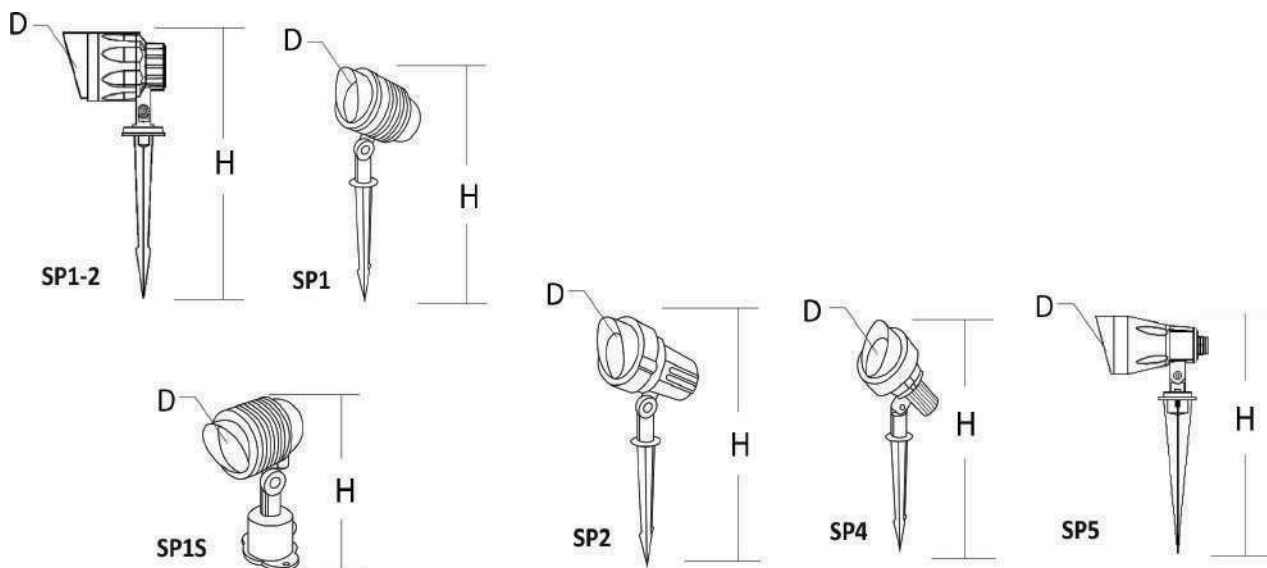
FEATURES

- Die-cast aluminium body
- Toughened glass, durable and high transmittance

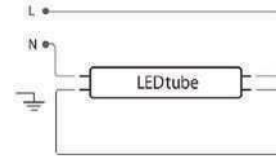
CHARACTERISTICS

- Wattage : 10W / GU10
- Input Voltage : 220~240V 50/60Hz
- Light Efficacy : ≥100 Lm/W
- Power Factor : >0.50
- Light Source : LED @ 50,000hrs
- Power Source : DOB (Driver on Board)
- IP Rating : IP65

DIMENSION (mm)



Model No.	Description	Diameter(mm)	Height(mm)
LECP0504	SP1-2 SPIKE LED Landscape 3x3W 3000K	Ø86	380
LECP0409	SP1S SPIKE LED Surface Mounted COB 10W 3000K	Ø105	270
LECP0228	SP1 SPIKE LED Landscape COB Built-in 10W 3000K	Ø105	450
LED00054	SP2 SPIKE GU10 Lamp Holder (Empty)	Ø105	420
LED00067	SP4 SPIKE C/W MR16 Lamp Holder (Empty)	Ø90	350
LECP0503	SP5 SPIKE LED Landscape 1x4W 3000K	Ø60	295



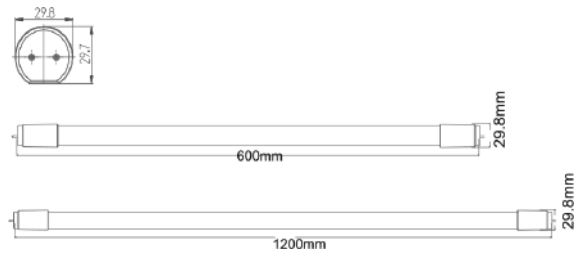
iLED TUBE

T5 LED TUBE

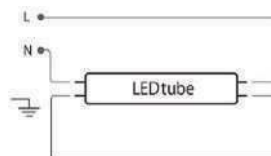
FEATURES

- Integrated driver design, using traditional G5 holder for easy installation
- Special surface optical design with low glare and well-distributed lighting
- Glass tube with EMP Starter
- No mercury, UV and IR radiation

DIMENSION (mm)



MODEL NO.	iLED0049	iLED0050
Technical Data	iLED T5-60	iLED T5-120
Lamp Base	G5	G5
Power	10W	18W
Luminous Flux	1000lm	1800lm
Efficacy	100lm/W	100lm/W
Beam Angle	300°	300°
Input Voltage and Frequency	200-260V / 50-60Hz	220-260V / 50-60Hz
Ambient Temperature	-15°C ~ 45°C	-15°C ~ 45°C
Color Rendering Index	Ra≥80	Ra≥80
Restrike	<0.5s = 100% Light output	<0.5s = 100% Light output
Dimming	No	No
LED Chips -SMD	50,000hrs L70/B50	50,000hrs L70/B50
Switching Cycle	>15000	>15000
Dimension	∅16mm x 600mm	∅16mm x 1200mm



iLED ECO

T8 LED TUBE

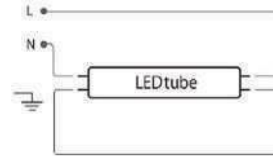
FEATURES

- Integrated driver design, using traditional G13 holder for easy installation
- Special surface optical design with low glare and well-distributed lighting
- No mercury, UV and IR radiation
- Certification: CE, IEC62471, IEC62776

DIMENSION (mm)



MODEL NO.	iLED0047	iLED0048
Technical Data	iLED T8-60	iLED T8-120
Lamp Base	G13	G13
Power	8W	16W
Luminous Flux	800lm	1600lm
Efficacy	100lm/W	100lm/W
Beam Angle	190°	190°
Input Voltage and Frequency	200-260V / 50-60Hz	200-260V / 50-60Hz
Ambient Temperature	-15°C ~ 45°C	-15°C ~ 45°C
Color Rendering Index	Ra≥80	Ra≥80
Restrike	<0.5s = 100% Light output	<0.5s = 100% Light output
Dimming	No	No
LED Chips - SMD	50,000hrs L70/B50	50,000hrs L70/B50
Switching Cycle	>15000	>15000
Dimension	Ø29.8mm x 600mm	Ø29.8mm x 1200mm
Single Box	35mm x 35mm x 615mm	35mm x 35mm x 615mm
Carton	190 x 190 x 630mm (20 pcs)	190 x 190 x 1245mm (20 pcs)



iLED ECO HIGH LUMEN

T8 LED TUBE

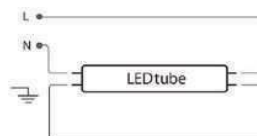
FEATURES

- Integrated driver design, using traditional G13 holder for easy installation
- Special surface optical design with low glare and well-distributed lighting
- Glass tube with EMP Starter
- No mercury, UV and IR radiation
- Battery pack compatible
- Certification: CE, IEC62471, IEC62776

DIMENSION (mm)



MODEL NO.	iLED0051	iLED0052
Technical Data	iLED T8-60	iLED T8-120
Lamp Base	G13	G13
Power	7.5W	15W
Luminous Flux	1050lm	2100lm
Efficacy	140lm/W	140lm/W
Beam Angle	190°	190°
Input Voltage and Frequency	200-260V / 50-60Hz	200-260V / 50-60Hz
Ambient Temperature	-15°C ~ 45°C	-15°C ~ 45°C
Color Rendering Index	Ra≥80	Ra≥80
Restrike	<0.5s = 100% Light output	<0.5s = 100% Light output
Dimming	No	No
LED Chips - SMD	50,000hrs L70/B50	50,000hrs L70/B50
Switching Cycle	>15000	>15000
Dimension	Ø29.8mm x 600mm	Ø29.8mm x 1200mm
Single Box	35mm x 35mm x 615mm	35mm x 35mm x 615mm
Carton	190 x 190 x 630mm (20 pcs)	190 x 190 x 1245mm (20 pcs)



iLED PRO

T8 LED TUBE

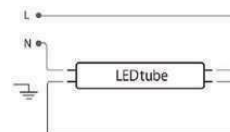
FEATURES

- Integrated driver design, using traditional G13 holder for easy installation
- Special surface optical design with low glare and well-distributed lighting
- Glass tube with EMP Starter
- No mercury, UV and IR radiation
- Battery pack compatible
- Certification: CE, IEC62471, IEC62776

DIMENSION (mm)



MODEL NO.	iLED0036	iLED0039
Technical Data	iLED T8-60	iLED T8-120
Lamp Base	G13	G13
Power	9W	18W
Luminous Flux	900lm	1800lm
Efficacy	100lm/W	100lm/W
Beam Angle	190°	190°
Input Voltage and Frequency	100-250V / 50-60Hz	100-250V / 50-60Hz
Ambient Temperature	-15°C ~ 45°C	-15°C ~ 45°C
Color Rendering Index	Ra≥80	Ra≥80
Restrike	<0.5s = 100% Light output	<0.5s = 100% Light output
Dimming	No	No
LED Chips - SMD	50,000hrs L70/B50	50,000hrs L70/B50
Switching Cycle	>15000	>15000
Dimension	∅29.8mm x 600mm	∅29.8mm x 1200mm
Single Box	35mm x 35mm x 615mm	35mm x 35mm x 615mm
Carton	190 x 190 x 630mm (20 pcs)	190 x 190 x 1245mm (20 pcs)



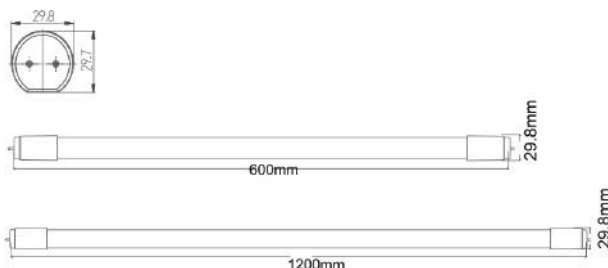
iLED PRO HIGH LUMEN

T8 LED TUBE

FEATURES

- Integrated driver design, using traditional G13 holder for easy installation
- Special surface optical design with low glare and well distributed lighting
- Glass tube with EMP Starter
- No mercury, UV and IR radiation
- Battery pack compatible
- Certification: CE, IEC62471, IEC62776

DIMENSION (mm)



MODEL NO.	iLED0042	iLED0045
Technical Data	iLED HO T8-60	iLED HO T8-120
Lamp Base	G13	G13
Power	9W	18W
Luminous Flux	1260lm	2520lm
Efficacy	140lm/W	140lm/W
Beam Angle	190°	190°
Input Voltage and Frequency	100-250V / 50-60Hz	100-250V / 50-60Hz
Ambient Temperature	-15°C ~ 45°C	-15°C ~ 45°C
Color Rendering Index	Ra≥80	Ra≥80
Restrike	<0.5s = 100% Light output	<0.5s = 100% Light output
Dimming	No	No
LED Chips - SMD	50,000hrs L70/B50	50,000hrs L70/B50
Switching Cycle	>15000	>15000
Dimension	Ø29.8mm x 600mm	Ø29.8mm x 1200mm
Single Box	35mm x 35mm x 615mm	35mm x 35mm x 615mm
Carton	190 x 190 x 630mm (20 pcs)	190 x 190 x 1245mm (20 pcs)



ZENITH BC

LED BARE BATTEN

FEATURES

- Body : Made of heavy gauge sheet steel
- Paintwork : Fully coated with a high gloss white epoxy polyester powder, giving resilient finish
- Color Temperature : 3000K ~ 6000K
- Lamp : LED Tube
- Power factor : 0.9
- IP Rating : IP20

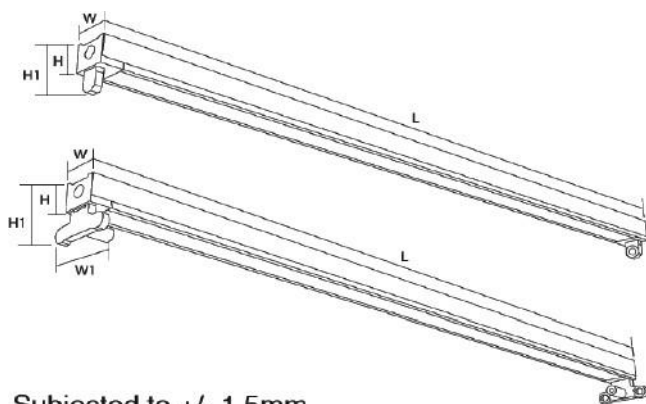


(Reflector - Asymmetrical/Symmetrical type in either metal/aluminium finish available upon request)

Optional Components - Emergency power pack

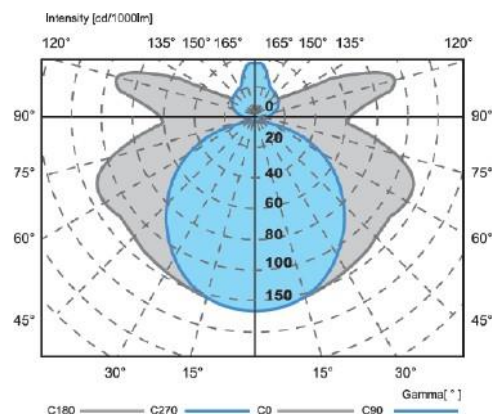
*T5 LED available upon request.

DIMENSION (mm)



Subjected to +/- 1.5mm

PHOTOMETRIC CURVE



Model No.	No. of lamp	L(mm)	W(mm)	W1(mm)	H(mm)	H1(mm)
ZNSR0295	LED 8W x 1	610	54	-	45.5	89.5
ZNSR0004	LED 8W x 2	610	54	103	45.5	89.5
ZNSR0296	LED 16Wx1	1218	54	-	45.5	89.5
ZNSR0297	LED 16Wx2	1218	54	103	45.5	89.5



ZENITH WG

LED WIRE GUARD BATTEN

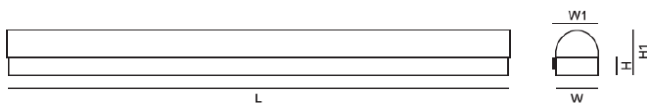
FEATURES

- Body : Made of heavy gauge sheet steel
- Paintwork : Fully coated with a high gloss white epoxy polyester powder, giving resilient finish
- Guard : Perforated metal piece
- Color Temperature : 3000K ~ 6000K
- Lamp : LED Tube
- Power factor : 0.9
- IP Rating : IP20

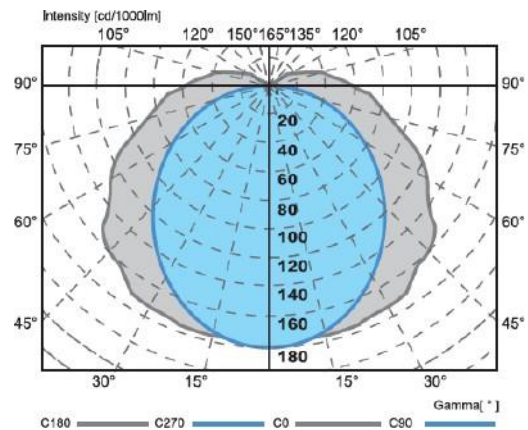
Optional Components - Emergency power pack

*T5 LED available upon request.

DIMENSION (mm)



PHOTOMETRIC CURVE



Model No.	No. of lamp	L(mm)	W(mm)	W1(mm)	H(mm)	H1(mm)
ZNSR0011	LED 8W x 1	616	100	105	45	115
ZNSR0013	LED 8W x 2	616	100	105	45	115
ZNSR0012	LED 16Wx1	1224	100	105	45	115
ZNSR0014	LED 16Wx2	1224	100	105	45	115



ZENITH DAIKON

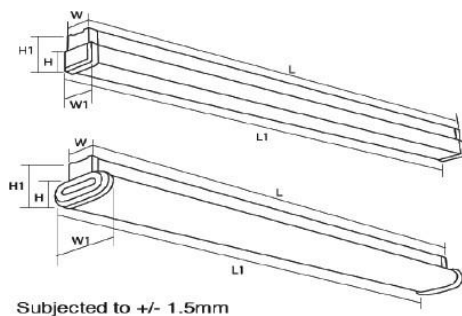
LED DIFFUSED BATTEN

FEATURES

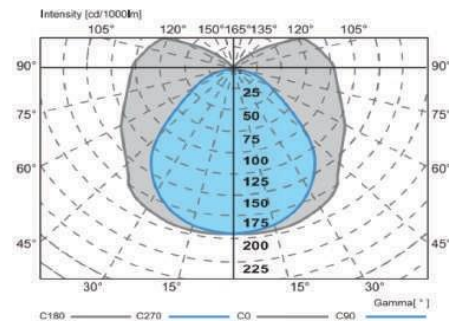
- Body : Made of heavy gauge sheet steel
 - Paintwork : Fully coated with a high gloss white epoxy polyester powder, giving resilient finish
 - Diffuser : AA12 Acrylic
 - Color Temperature : 3000K ~ 6000K
 - Lamp : LED Tube
 - Power factor : 0.9
 - IP Rating : IP20
- Optional Components - Emergency power pack

*T5 LED available upon request.

DIMENSION (mm)



PHOTOMETRIC CURVE



Model No.	No. of lamp	L(mm)	L1(mm)	W(mm)	W1(mm)	H(mm)	H1(mm)
ZNSR0346	LED 8W x 1	616	626	54	64	44	110
ZNSR0347	LED 8W x 2	616	626	54	125	44	110
ZNSR0348	LED 16Wx1	1225	1235	54	64	44	110
ZNSR0349	LED 16Wx2	1225	1235	54	125	44	110
ROUND							
ZNS00007	LED 8W x 1	616	626	54	60	44	93
ZNSR0009	LED 8W x 2	616	626	54	113	44	93
ZNSR0008	LED 16Wx1	1225	1235	54	60	44	93
ZNSR0010	LED 16Wx2	1225	1235	54	113	44	93
SQUARE							



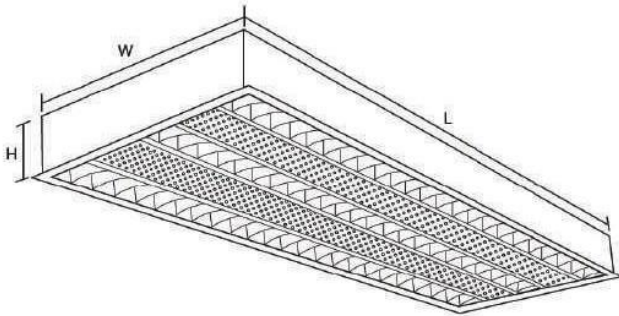
ZENITH

T5 PERFORATED VDU FITTING

FEATURES

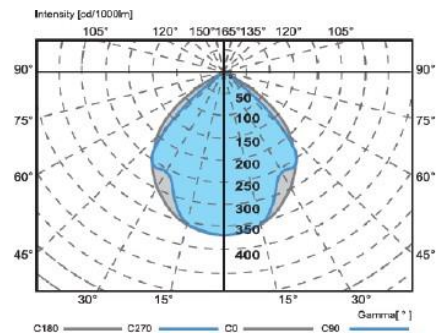
- Body : Base made of heavy gauge sheet steel
 - Paintwork : Fully coated with a high gloss white epoxy polyester powder, giving resilient finish
 - Louvres : Perforated or White sheet
 - Reflector : High quality anodised aluminium
 - Color Temperature : 3000K ~ 6000K
 - Lamp : LED Tube
 - Power factor : 0.9
 - IP Rating : IP20
- Optional Components - Emergency power pack

DIMENSION (mm)



Subjected to +/- 1.5mm

PHOTOMETRIC CURVE



Model No.	No. of lamp	L(mm)	W(mm)	H(mm)
ZNSR0335	LED 10Wx2	595	595	70
ZNSR0336	LED 10Wx3	595	595	70
ZNSR0337	LED 10Wx4	595	595	70
ZNSR0338 (1x4)	LED 18Wx2	1195	295	70
ZNSR0339	LED 18Wx2	1195	595	70
ZNSR0340	LED 18Wx3	1195	595	70
ZNSR0341	LED 18Wx4	1195	595	70



ZENITH PRISM

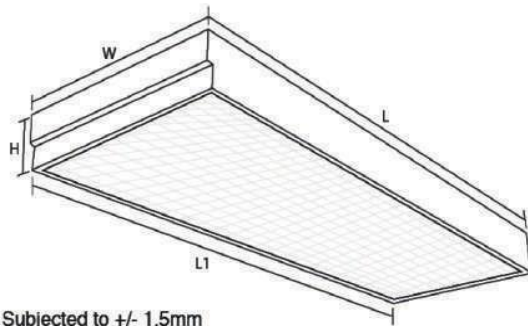
RECESSED T-BAR CLEAN ROOM FITTING

FEATURES

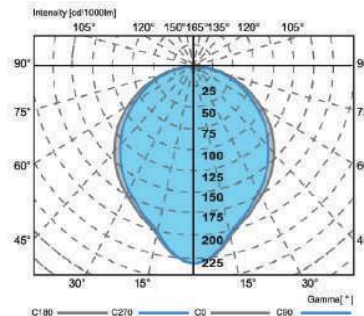
- Body : Made of heavy gauge sheet steel
 - Paintwork : Fully coated with a high gloss white epoxy polyester powder, giving resilient finish
 - Diffuser : Options for opal or prismatic type
 - Color Temperature : 3000K ~ 6000K
 - Lamp : LED Tube
 - Power factor : 0.9
 - IP Rating : IP54
- Optional Components - Emergency power pack / Bottom-Top Opener / Gasket-Hinged Frame

*T5 LED available upon request.

DIMENSION (mm)



PHOTOMETRIC CURVE



Model No.	No. of lamp	L(mm)	L1(mm)	W(mm)	WH(mm)
ZNSR0342	LED 8W x 1	612	595	295	90
ZNSR0343	LED 8W x 2	612	595	595	90
ZNSR0344	LED 16Wx1	1222	1195	295	90
ZNSR0345	LED 16Wx2	1222	1195	595	90

METRIC SIZE

ZNSR0342	LED 8W x 1	612	600	302	90
ZNSR0343	LED 8W x 2	612	600	600	90
ZNSR0344	LED 16Wx1	1222	1210	302	90
ZNSR0345	LED 16Wx2	1222	1210	600	90

IMPERIAL SIZE



ZENITH PRISM

RECESSED T-BAR DIFFUSED FITTING HINGED FRAME

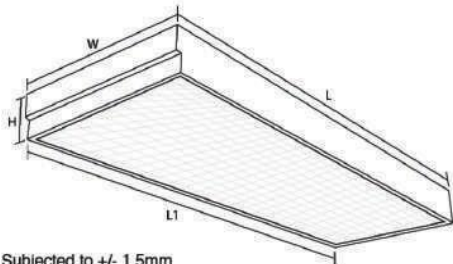
FEATURES

- Body : Made of heavy gauge sheet steel
- Paintwork : Fully coated with a high gloss white epoxy polyester powder, giving resilient finish
- Diffuser : Options for opal or prismatic type
- Color Temperature : 3000K ~ 6000K
- Lamp : LED Tube
- Power factor : 0.9
- IP Rating : IP20

Optional Components - Emergency power pack / Bottom-Top Opener / Gasket-Hinged Frame

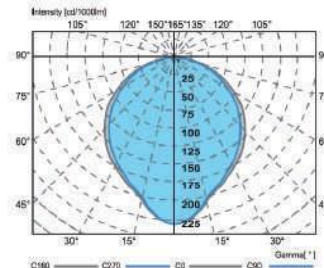
*T5 LED available upon request.

DIMENSION (mm)



Subjected to +/- 1.5mm

PHOTOMETRIC CURVE



Model No.	No. of lamp	L(mm)	L1(mm)	W(mm)	H(mm)
ZNSR0067	LED 8W x 2	612	595	595	90
ZNSR0068	LED 8W x 3	612	595	595	90
ZNSR0069	LED 8W x 4	612	595	595	90
ZNSR0073 (1X4)	LED 16Wx2	1222	1195	295	90
ZNSR0070	LED 16Wx2	1222	1195	595	90
ZNSR0071	LED 16Wx3	1222	1195	595	90
ZNSR0072	LED 16Wx4	1222	1195	595	90

METRIC SIZE

Model No.	No. of lamp	L(mm)	L1(mm)	W(mm)	H(mm)
ZNSR0067	LED 8W x 2	612	600	600	90
ZNSR0068	LED 8W x 3	612	600	600	90
ZNSR0069	LED 8W x 4	612	600	600	90
ZNSR0073 (1X4)	LED 16Wx2	1222	1210	302	90
ZNSR0070	LED 16Wx2	1222	1210	600	90
ZNSR0071	LED 16Wx3	1222	1210	600	90
ZNSR0072	LED 16Wx4	1222	1210	600	90

IMPERIAL SIZE



ZENITH VDU

RECESSED T-BAR VDU FITTING

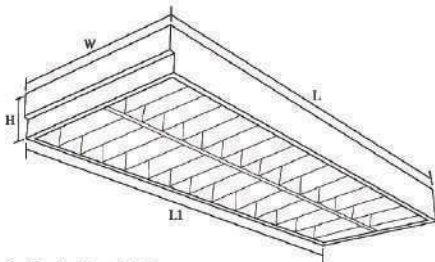
FEATURES

- Body : Made of heavy gauge sheet steel
- Paintwork : Fully coated with a high gloss white epoxy polyester powder, giving resilient finish
- Louvres : High quality anodised aluminium (Matt/Glossy)
- Color Temperature : 3000K ~ 6000K
- Lamp : LED Tube
- Power factor : 0.9
- IP Rating : IP20

Optional Components - Emergency power pack

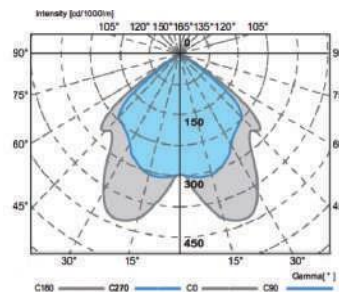
*T5 LED available upon request.

DIMENSION (mm)



Subjected to +/- 1.5mm

PHOTOMETRIC CURVE

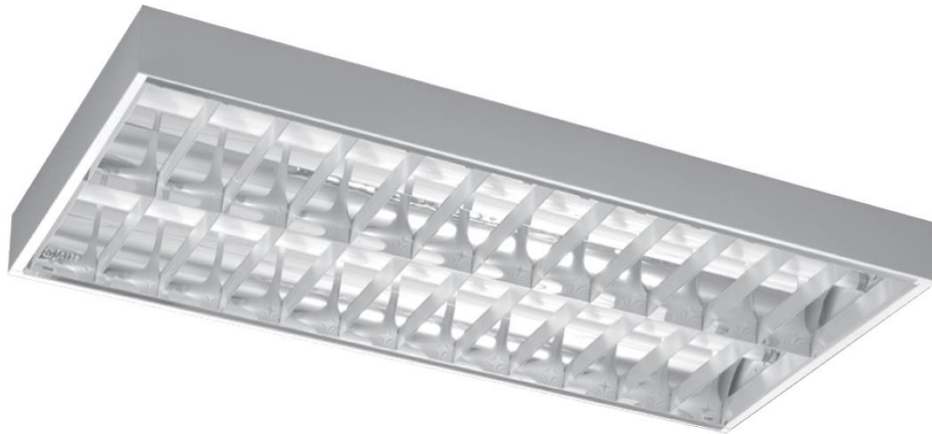


Model No.	No. of lamp	L(mm)	L1(mm)	W(mm)	H(mm)
ZNTK0014	LED 8W x 2	612	595	595	90
ZNTK0015	LED 8W x 3	612	595	595	90
ZNTK0016	LED 8W x 4	612	595	595	90
ZNTK0020 (1x4)	LED 16Wx2	1222	1195	295	90
ZNTK0017	LED 16Wx2	1222	1195	595	90
ZNTK0018	LED 16Wx3	1222	1195	595	90
ZNTK0019	LED 16Wx4	1222	1195	595	90

METRIC SIZE

ZNTK0014	LED 8W x 2	612	600	600	90
ZNTK0015	LED 8W x 3	612	600	600	90
ZNTK0016	LED 8W x 4	612	600	600	90
ZNTK0020 (1x4)	LED 16Wx2	1222	1210	302	90
ZNTK0017	LED 16Wx2	1222	1210	600	90
ZNTK0018	LED 16Wx3	1222	1210	600	90
ZNTK0019	LED 16Wx4	1222	1210	600	90

IMPERIAL SIZE



ZENITH ML

RECESSED T-BAR MOL FITTING

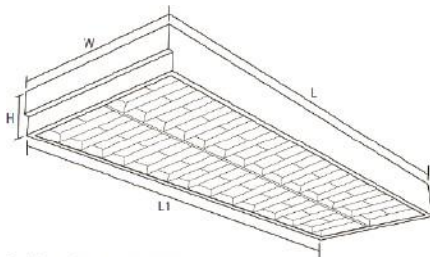
FEATURES

- Body : Made of heavy gauge sheet steel
- Paintwork : Fully coated with a high gloss white epoxy polyester powder, giving resilient finish
- Louvres : Anodised aluminium in either specular, semi specular or matt with profile cross blades (Matt/Gloss)
- Color Temperature : 3000K ~ 6000K
- Lamp : LED Tube
- Power factor : 0.9
- IP Rating : IP20

Optional Components - Emergency power pack

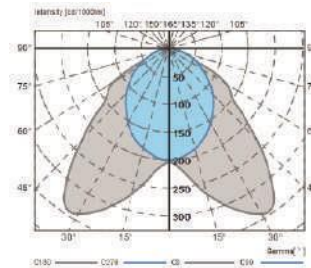
*T5 LED available upon request.

DIMENSION (mm)



Subjected to +/- 1.5mm

PHOTOMETRIC CURVE



Model No.	No. of lamp	L(mm)	L1(mm)	W(mm)	H(mm)
ZNTK0053 (1x2)	LED 8W x 1	612	595	295	70
ZNTK0004	LED 8W x 2	612	595	595	70
ZNTK0005	LED 8W x 3	612	595	595	70
ZNTK0006	LED 8W x 4	612	595	595	70
ZNTK0050 (1x4)	LED 16Wx2	1222	1195	295	70
ZNTK0047	LED 16Wx2	1222	1195	595	70
ZNTK0048	LED 16Wx3	1222	1195	595	70
ZNTK0049	LED 16Wx4	1222	1195	595	70

METRIC SIZE

ZNTK0053 (1x2)	LED 8W x 1	612	600	302	70
ZNTK0004	LED 8W x 2	612	600	600	70
ZNTK0005	LED 8W x 3	612	600	600	70
ZNTK0006	LED 8W x 4	612	600	600	70
ZNTK0050 (1x4)	LED 16Wx2	1222	1210	302	70
ZNTK0047	LED 16Wx2	1222	1210	600	70
ZNTK0048	LED 16Wx3	1222	1210	600	70
ZNTK0049	LED 16Wx4	1222	1210	600	70

IMPERIAL SIZE



ZENITH FORMULA 1

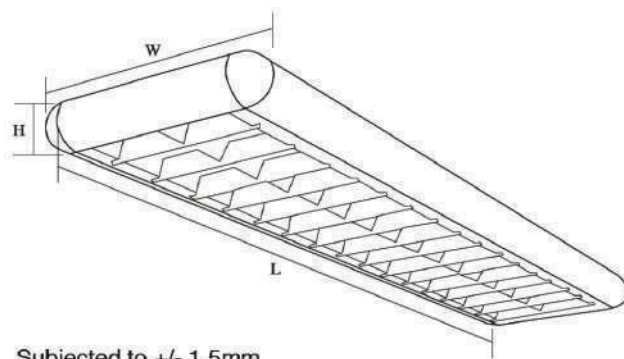
SYMMETRICAL RADIUS DESIGN

FEATURES

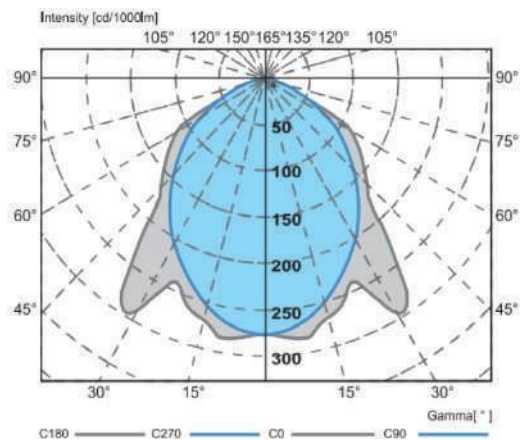
- Body : Base made of heavy gauge sheet steel & side extruded aluminium
 - Paintwork : Fully coated with a high gloss white epoxy polyester powder, giving resilient finish
 - Reflector : High quality anodised aluminium in either specular, semi specular or matt finish
 - Color Temperature : 3000K ~ 6000K
 - Lamp : LED Tube
 - Power factor : 0.9
 - IP Rating : IP20
- Optional Components - Emergency power pack

*T5 LED available upon request.

DIMENSION (mm)



PHOTOMETRIC CURVE



Model No.	No. of lamp	L(mm)	W(mm)	H(mm)
ZNTK0033	LED 8W x 2	683	292	65
ZNTK0034	LED 16Wx2	1293	292	65

Dimming Control System

Dimming Control System "I-Touch"

Your lightings can be used as part of a complete light and dimming system in small and large areas, and even entire buildings. Choose the fixture and control solution that best meets the needs of your space; Integrate wired or wireless occupancy / vacancy and daylight sensors to maximize energy savings, and select additional control options.

Add a typical lighting scenarios, make lamps for lighting according to their parameter settings, which by presetting illumination intensity, timer, switching mode, switching period and other parameters.

Dimming systems take an integrated approach to delivering exceptional levels of energy efficiency along with high-quality illumination and new control capabilities.

Network for Smart Intelligent System

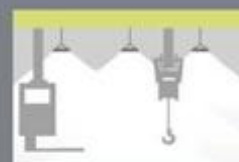
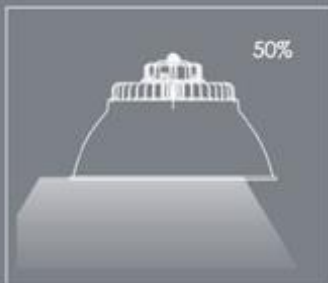
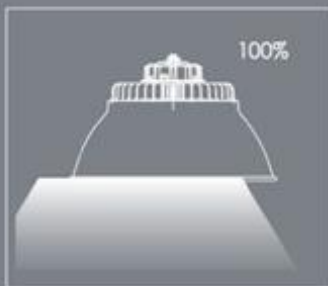


Energy Saving with Remote Control System



Keep actual illuminance (natural light+lamp light) at a setting value in a workplace.

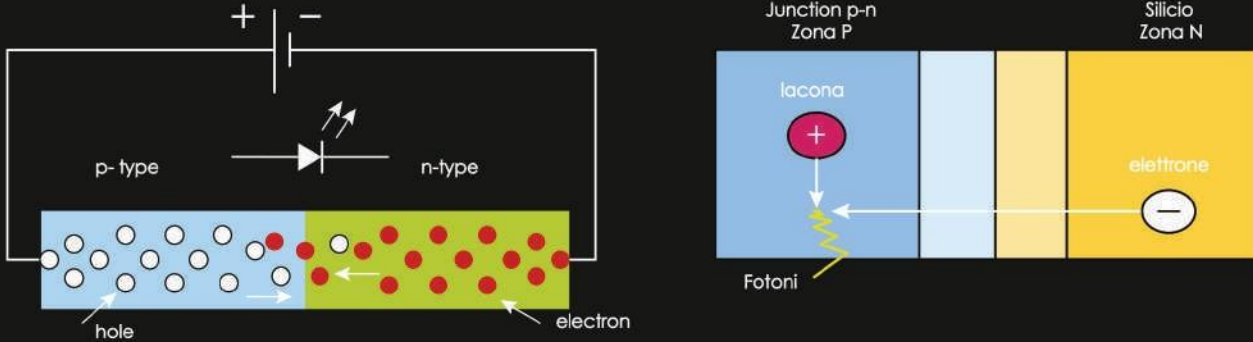
Lamps will automatically shut down when ambient illuminance reaches setting value.



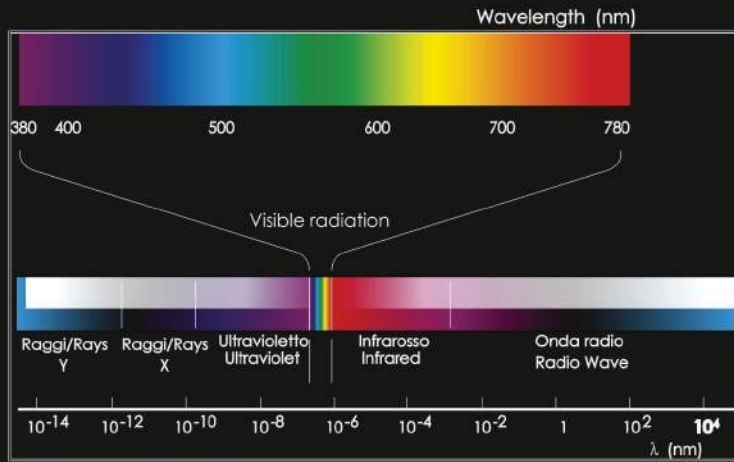
Reference - LED

LED Lighting Reference

LED is an electronic component with a semiconductor PN junction. When the diode is switched on, free electrons in the N layer of the semiconductor migrate towards the holes present in the P layer, passing through the PN junction.

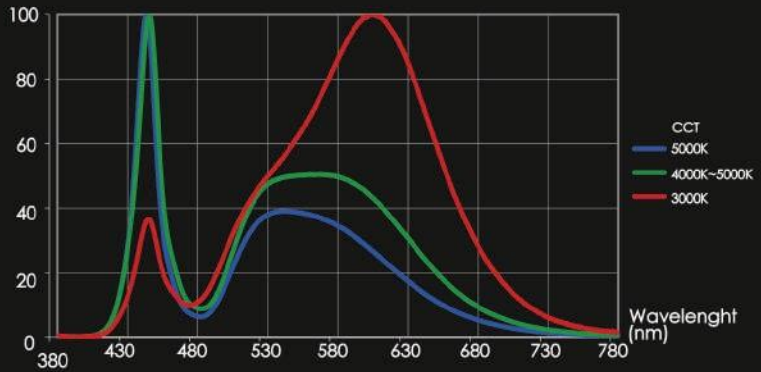


During this process, LED emits photons in the form of radiant energy, including some in the visible spectrum (between 380nm and 780nm) (electroluminescence).



Electromagnetic spectrum

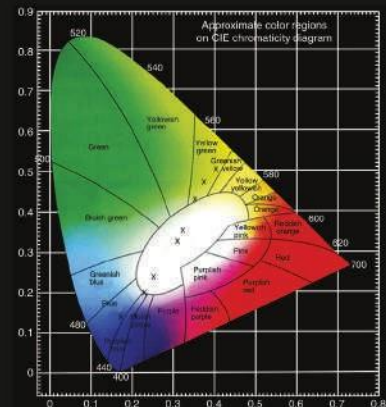
The white light is generated by a blue LED covered by yellow phosphor that transform part of the blue light into longer wavelengths. This yields a white beam of light, and according to the composition of the conversion materials, the generated light can be warmer or colder.



CIE Chromaticity Diagram

The CIE diagram, or more precisely the CIE Chromaticity Diagram, is shown below. It was created in 1931 by the Commission Internationale de l'Eclairage.

Chromaticity is an objective specification of the quality of a color regardless of its luminance. Chromaticity consists of two independent parameters, often specified as hue (h) and colorfulness (s), where the latter is alternatively called saturation, chroma, intensity, or excitation purity. This number of parameters follows from trichromacy of vision of most humans, which is assumed by most models in color science



Reference - CCT & CRI

CRI (Ra) - Color Rendering Index

The color rendering index (CRI) is a quantitative measure of the ability of an artificial light source to reproduce the colors of various objects faithfully in comparison with natural sunlight. Sunlight was defined as an ideal light source and having a CRI of 100.

When making CRI comparison for any kind of light source, suggest choosing the same color for the lights being compared, so it will be easier to determine the results.

CRI (Ra) - Color Rendering Index Sample : When displaying raw meat, yellow light makes meat look fresh and delicious, but how can I know which yellow light's CRI is the best?



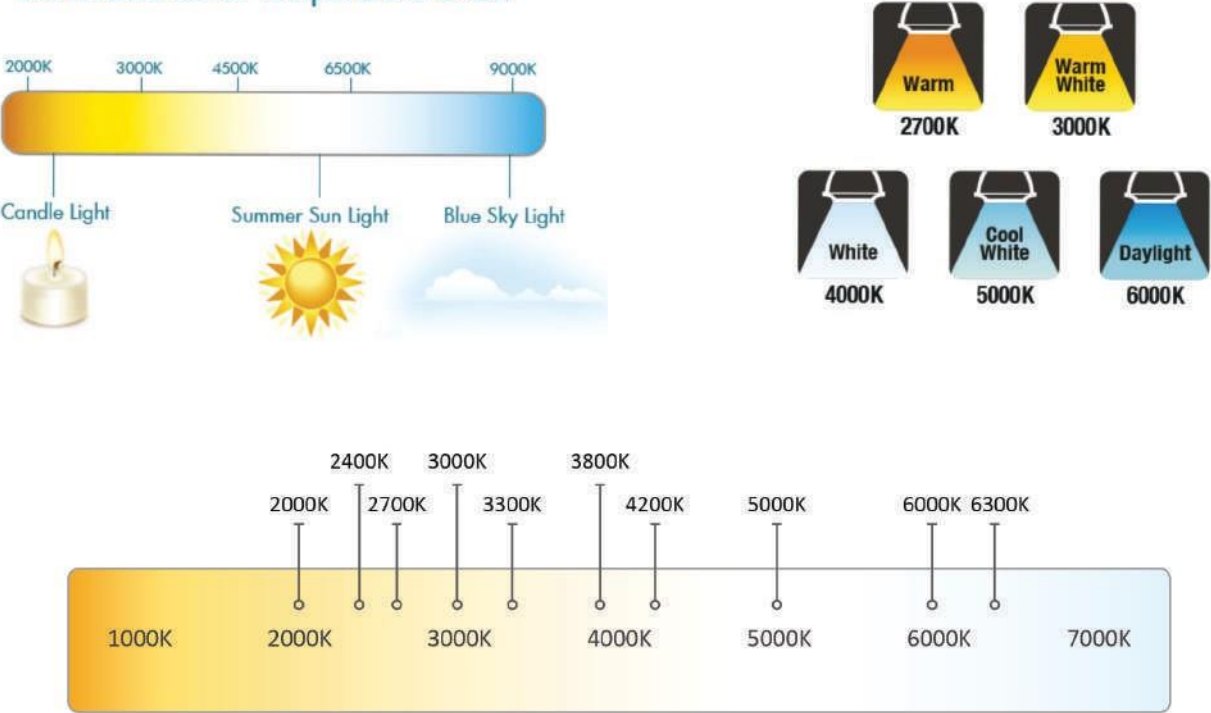
A and B light : The color of the object looks better when under B light.

B and C light : Both of them are fine but with different feeling

CCT - Correlated Color Temperature

CCT value represents the color of different kinds of light source; standard unit for color temperature is Kelvin (K). You can see the color of yellow stays between 3000 ~ 4000K and color white between 5000~6000K.

Correlated Color Temperature Chart



Reference - IP & IK Level Protection

Ingress Protection

The designation to indicate the degrees of protection consists of the characteristic letters IP followed by two numerals (the "characteristic numerals") indicating conformity with the conditions stated in tables below.




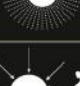


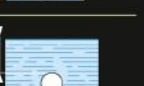

First Numeral

Protection of persons against contact with or approach to live parts and against contact with moving parts (other than smooth rotating shafts and the like) inside the enclosure and protection of the equipment against ingress of solid foreign bodies in accordance with IEC 60598-1:2003.

	0	Not protected
	1	Protected against solid objects 50 mm in diameter or greater.
	2	Protected against solid objects 12mm in diameter or greater.
	3	Protected against solid objects 2.5mm in diameter or greater.
	4	Protected against solid objects 1 mm in diameter or greater.
	5	Dust protected.
	6	Dust tight.

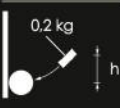


Second Numeral

Protection of the equipment inside the enclosure against harmful ingress of water.

	0	Not protected
	1	Protected against dripping water.
	2	Protected against dripping water when tilted up to 15°
	3	Protected against spraying water.
	4	Protected against splashing water.
	5	Protected against water jets.
	6	Protected against heavy seas.
	7	Protected against the effects of temporary immersion.
	8	Protected against continuous immersion.

IMPACT PROTECTION

Degrees of protection provided by enclosures for electrical against external mechanical impacts in accordance with IEC 62262:2002 and IEC 60068-2-75:1997

	IK00	Not protected				
	IK01	Protected against 0.14 joules impact.		IK06	Protected against 1 joules impact.	
	IK02	Protected against 0.2 joules impact.		IK07	Protected against 2 joules impact.	
	IK03	Protected against 0.35 joules impact.			IK08	Protected against 5 joules impact.
	IK04	Protected against 0.5 joules impact.			IK09	Protected against 10 joules impact.
	IK05	Protected against 0.7 joules impact.			IK10	Protected against 20 joules impact.
						

Reference - Road Lighting Standards - MS 825 / Code BS EN 13201

Category	Luminance Data					Illuminance Data		Notes	
	L ave (cd/m) ²	Uo Min.	U1 Min.	Tl Max (%)	SR	E av (Lux)	E min (Lux)		
*Motorways									
ME 1	2	0.4	0.7	10	0.5			Dry road Surface Condition. Tl - An increase of 5 points is allowed where low luminance light sources are used. SR only applied where no traffic areas with their own requirements adjacent.	
*Traffic routes									
ME2	1.5	0.4	0.7	10	0.5				
ME3a	1	0.4	0.7	15	0.5				
ME3b	1	0.4	0.6	15	0.5				
ME3c	1	0.4	0.5	15	0.5				
ME4a	0.75	0.4	0.6	15	0.5				
ME4b	0.75	0.4	0.5	15	0.5				
ME5	0.5	0.35	0.4	15	0.5				
ME6	0.3	0.35	0.4	15	N/A				
**S-Class									
S1						15	5	Actual value of E av must not exceed 1.5 x Target E av illuminance ie S5 actual value must not be greater than 4.5 Lux	
S2						10	3		
S3						7.5	1.5		
S4						5	1		
S5						3	0.6		
S6						2	0.6		
***Conflict Areas									
CE0		0.4				50		"Conflic Areas" eg Shopping Streets, Intersections Roundabouts, Queuing Areas, Pedestrians etc.	
CE1		0.4				30			
CE2		0.4				20			
CE3		0.4				15			
CE4		0.4				10			
CE5		0.4				7.5			
Hierarchy Description	Type of Genetral Description		Detail Description						
Highway	Limited access		Routes for fast moving long distance traffic. Fully grade separated and restrictions on used. Main carriageway Emergency lanes				ME 1 ME4a		
Strategic route	Trunk and some principal 'A' roads between primary destination		Routes for fast moving long distance traffic with little frontage access or pedestrian traffic. Speed limits are usually in excess of 60km/h and there are few junctions. Pedestrian crossings are either segregated or controlled and parked vehicles are usually prohibited. Single carriageways and dual carriageways				ME 2		
Main distributor	Major urban network and inter-primary links short to medium distance traffic		Routes between strategic routes and linking urban centres to strategic network with limited frontage access In urban areas speed limits are usually 60 km/h or less, parking is restricted at peak times and there are positive measures for pedestrian safety reasons. Single carriageways and dual carriageways				ME 2		
Secondary Distribution	Classified road (B and C) class and unclassified urban bus route carrying local traffic with frontage access and frequent junctions		Rural areas (Zone E 1/2) These roads link the larger villages to the strategic and main distributor network.				ME3a		
			Urban areas (Zone E3) These are residential or industrial inter-connecting roads with 50km/h speed				ME2		
			inter-connecting roads with 50km/h speed uncontrolled parking.				ME5		
Link Road	Road linking between the main and secondary distribution network with frontage access and frequent junctions		Rural areas (Zone E 1/2) Roads link the smaller villages to the distributor network. They are of varying width and not always capable of carrying two - way traffic Urban areas (Zone E3) Residential or industrial inter-connecting roads with 50 km/h speed limits, random pedestrian movements and uncontrolled parking.				ME4b or S2		

Reference - Sports Lighting Standard - BS EN 12193-2007

Sports		Illuminance Level						Glare Rating (GR)			Illuminance Level (Em. Vertical) LUX CTV Broadcast ** Maximum camera shooting		
		(Em. Horizontal) LUX*											
		(Non CTV)											
		Class I		Class II		Class III							
		Em Lux	Uo Min/ave	Em Lux	Uo Min/ave	Em Lux	Uo Min/ave						
Athletics		500	0.7	200	0.5	50 to 100	0.5	50	55	55	480	640	800
Baseball	In Fld	750	0.7	500	0.7	300	0.5	50	50	55	900	1280	1600
	Out Fld	500	0.5	300	0.5	200	0.3	50	50	55	680	920	1150
Basketball		500	0.7	200	0.6	75	0.5	50	50	55	680	920	1150
Bowls Flat Green		300	0.7	200	0.7	100	0.5	50	50	50	480	640	800
Cricket		750	0.7	500	0.7	300	0.5	50	50	55	900	1280	1600
Ground Field		500	0.5	300	0.5	200	0.3	50	50	55	680	950	1150
Equestrian		500	0.7	200	0.7	100	0.5	50	50	55	480	640	800
Football (soccer)		500	0.7	200	0.6	75	0.5	50	50	55	680	920	1150
Football(American)		500	0.7	200	0.6	75	0.5	50	50	55	680	920	1150
Hockey		500	0.7	200	0.7	200	0.7	50	50	55	680	920	1150
Horse Racing		200	0.6	100	0.4	50	0.2	50	50	55	480	640	800
Netball		500	0.7	200	0.6	75	0.5	50	50	55	680	920	1150
Rugby		500	0.7	200	0.6	75	0.5	50	50	55	680	920	1150
Tennis		500	0.7	300	0.7	200	0.6	50	50	55	680	920	1150
Volleyball		500	0.7	200	0.6	75	0.5	50	50	55	680	920	1150

** Em is the Maintained Illuminance Level (specification level) and is the Design illuminance level, below which the lighting not allowed to fall during the period to planned maintenance

** CTV (Em. vertical) lighting levels incorporate a multiple of design illuminance uniformity checks; for further information see CIE No. 83.

Reference - Sports Lighting Standard - BS EN 12193-2007

Level of Competition	Lighting Class		
	I	II	III
International & National	✓		
Regional	✓	✓✓	
Local	✓	✓✓	
Training		✓✓	✓✓✓
Recreation /School Sports			✓✓✓
(Physical Education)			✓✓✓

Reference - Led Lighting Standard

- 1) IEC 60598-1:2012 : Luminaires - Part 1: General requirements and tests
- 2) IEC 60838-2-2:2008 : Miscellaneous lamp holders - Part 2-2:Particular requirements - Connectors for LED-modules
- 3) IEC 61347-1:2012 : Lamp control gear - Part 1: General and safety requirements
- 4) IEC 61347-2-13:2012 : Lamp control gear - Part 2-13: Particular requirements for d.c. or supplied electronic control gear for LED modules
- 5) IEC 62031:2011 : LED modules for general lighting - Safety specifications
- 6) IEC 62384:2012 : DC or AC supplied electronic control gear for LED modules - Performance requirements
- 7) IEC 62560:2012 : Self-ballasted LED-lamps for general lighting services by voltage > 50 V - safety specifications
- 8) IEC 62504:2012 : General lighting - LEDs and LED modules - Terms and definitions
- 9) IEC 62612:2012 : Self-ballasted LED-lamps for general lighting services - Performance requirements
- 10) IEC 62717:2012 : LED modules for general lighting - Performance requirements
- 11) IEC 62722-1:2012 : Luminaire performance - Part 1: General requirements
- 12) IEC 62722-2-1 : Luminaire performance - Part 2-1: Particular requirements for LED luminaires
- 13) IES LM-79-08 : Electrical and Photometric Measurements of Solid State Lighting Products
- 14) IES LM-80-08 : Measurement Lumen Maintenance of LED Light Source
- 15) IEC 62471 : Photobiology Safety of Lamps and Lamp system